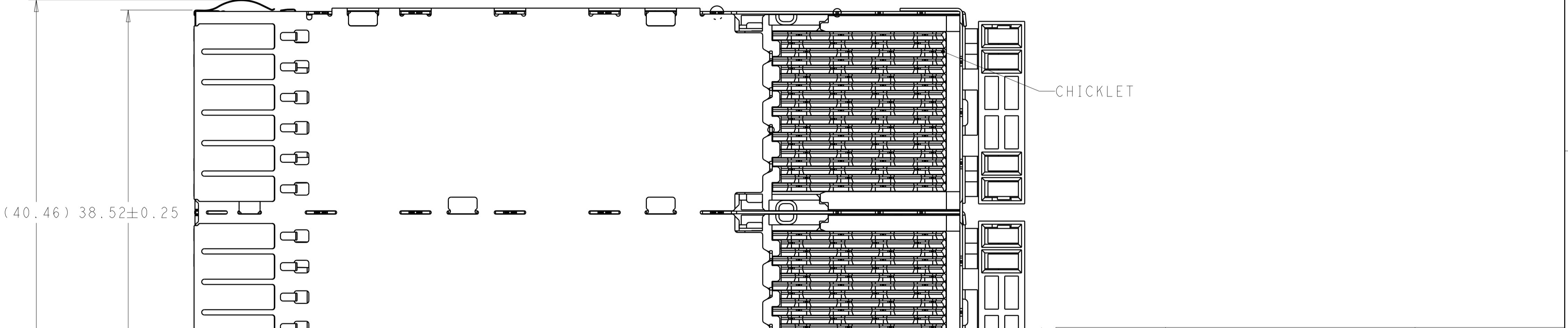
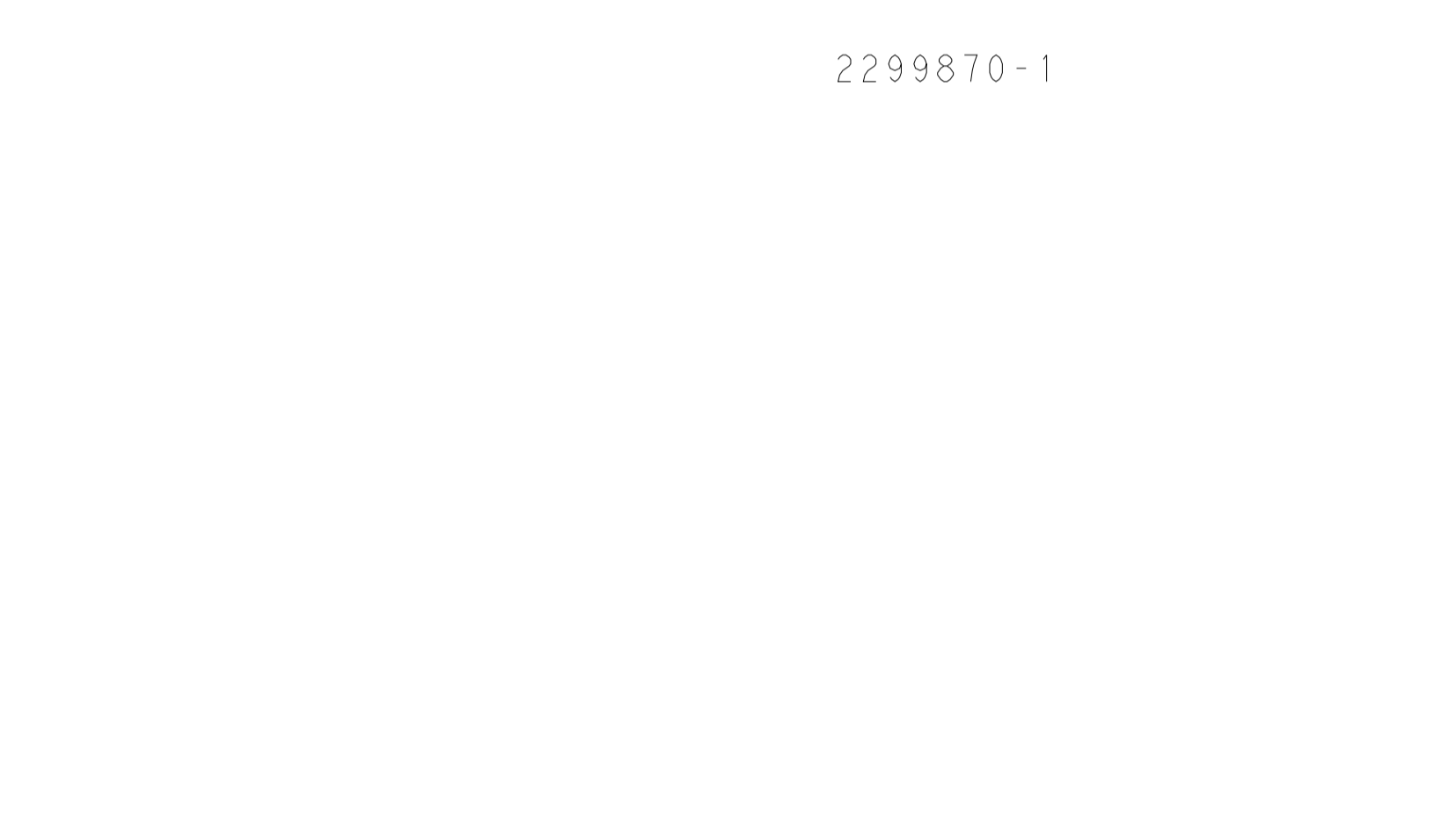
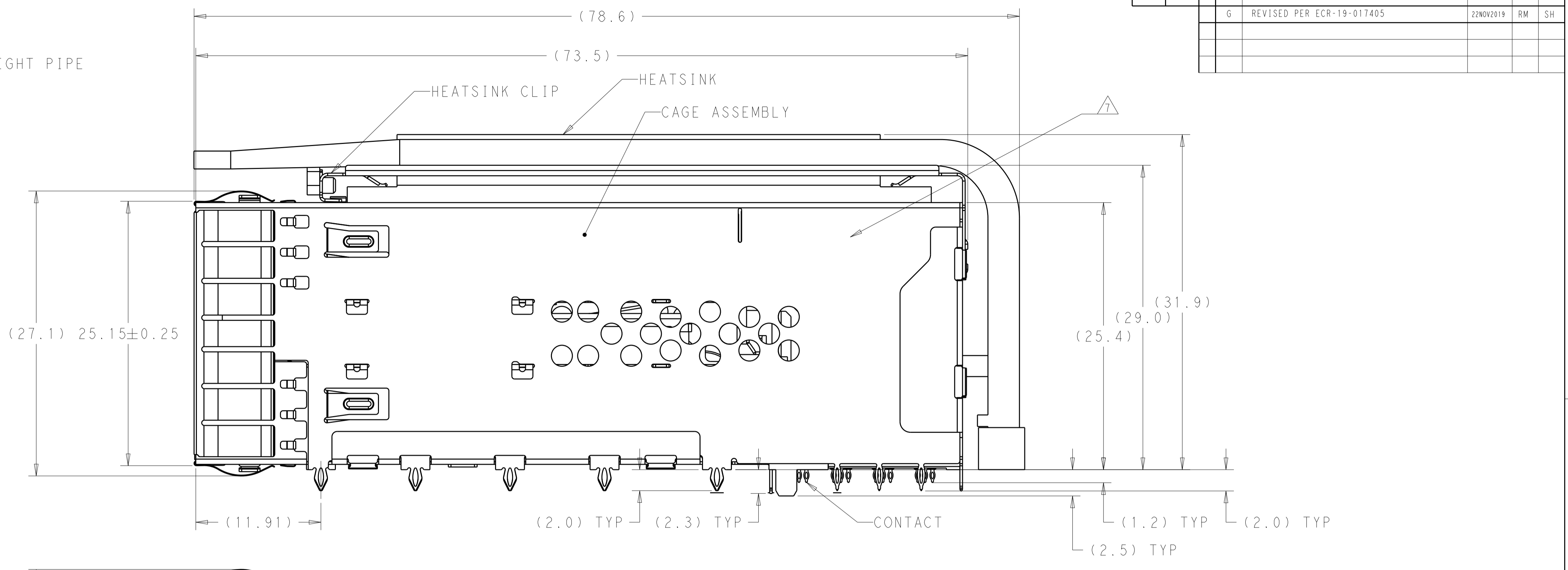
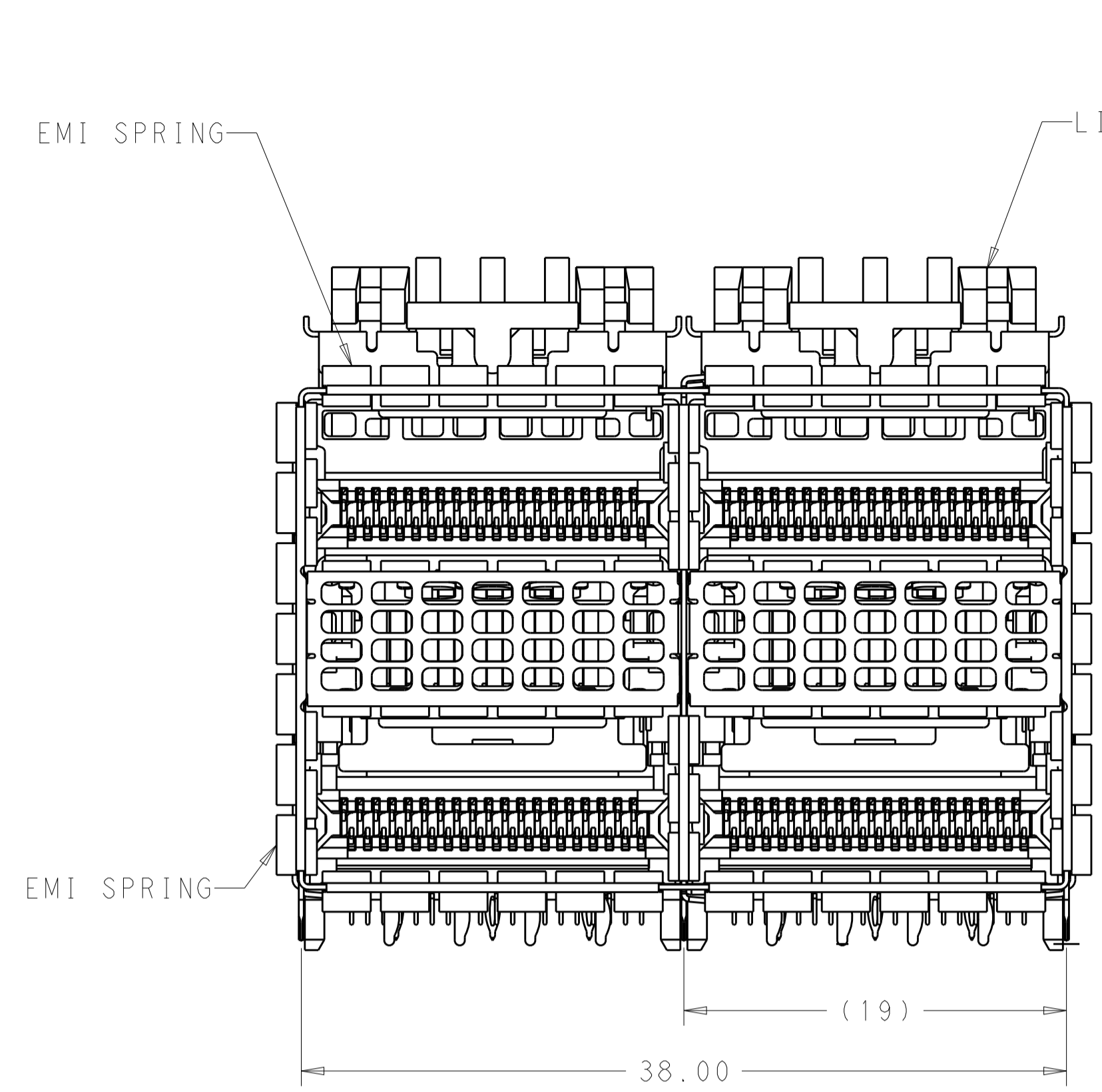


LOC	DIST	REVISIONS			
P	LTM	DESCRIPTION	DATE	DMN	APVD
GP	00	G REVISED PER ECR-19-017405	22NOV2019	RM	SH



1. MATERIALS:  
 CAGE ASSEMBLY- NICKEL SILVER ALLOY PER ASTM B 122.  
 EMI SPRING- COPPER ALLOY, NICKEL PLATED.  
 HOUSING- POLYESTER LCP WITH 94V-0.  
 CHICKLET- POLYESTER LCP WITH 94V-0.  
 CONTACT- COPPER ALLOY.  
 LIGHTPIPE- POLYCARBONATE WITH 94V-0.

- 2 CONTACT FINISH: 0.76µm GOLD ON MATING AREA, 0.7-1.5µm MATT TIN ON COMPLIANT AREA, ALL OVER 1.27µm NICKEL.  
 3 DATUM AND BASIC DIMENSION ESTABLISHED BY CUSTOMER.  
 4. MINIMUM PCB THICKNESS OF 1.57.  
 5 THE ENTIRE AREA OF THE CONNECTOR FOOTPRINT, INDICATED BY THE DASHED LINE, TO BE CONSIDERED THE KEEPOUT AREA FOR COMPONENTS AND TRACES.  
 6 CROSS-HATCHED AREAS REPRESENT ZONES ON THE PCB THAT COME IN CONTACT WITH OR BE IN CLOSE PROXIMITY TO THE PLASTIC HOUSING OR THE CONNECTOR CAGE. INDICATED AREAS TO BE CONSIDERED TRACE FREE.  
 7 PART NUMBER AND DATE CODE MAKED IN APPROXIMATE AREA SHOWN.  
 8 HATCHED AREA IS PLACEMENT ZONE FOR LED. LED SHOULD BE CENTERED WITHIN ZONE. RECOMMEND 0805 PACKAGE.  
 9 CONTACT FINISH: 0.08µm MINIMUM GOLD OVER 0.68µm PALLADIUM-NICKEL ON MATING AREA, 0.7-1.5µm MATT TIN ON COMPLIANT AREA, ALL OVER 1.27µm NICKEL.  
 10 LOW Br/CI AS DEFINED IN TEC-138-702.

CONTACT FINISH	DESCRIPTION	PART NUMBER
2	WITH HS & WITH LP	2-2299870-8
2	WITHOUT UPPER HS OR LP	2-2299870-1
2	WITH HS & WITH LP	2-2299870-0
2	WITHOUT HS & WITH LP	2-2299870-5
2	WITH HS & WITH LP	1-2299870-5
2	WITH HS & WITH LP	1-2299870-8
2	WITH HS & WITHOUT LP	1-2299870-6
2	WITH HS & WITHOUT LP	1-2299870-3
2	WITH HS & WITHOUT LP	1-2299870-2
2	WITH HS & WITH LP	1-2299870-9
2	WITH HS & WITH LP	2299870-8
2	WITH HS & WITH LP	2299870-7
2	WITH HS & WITHOUT LP	2299870-6
2	WITHOUT UPPER HS OR LP	2299870-5
2	WITHOUT UPPER HS OR LP	2299870-4
2	WITH HS & WITHOUT LP	2299870-3
2	WITH HS & WITHOUT LP	2299870-2
2	WITH HS & WITH LP	2299870-1

THIS DRAWING IS A CONTROLLED DOCUMENT. DWN: TIM XUE 28JAN2016  
 CHG: SEAN HAN 28JAN2016  
 APVD: SEAN HAN 28JAN2016

DIMENSIONS: mm  
 TOLERANCES UNLESS OTHERWISE SPECIFIED:  
 0 PLC ±  
 1 PLC ±0.25  
 2 PLC ±0.15  
 3 PLC ±  
 4 PLC ±  
 ANGLES ° ±

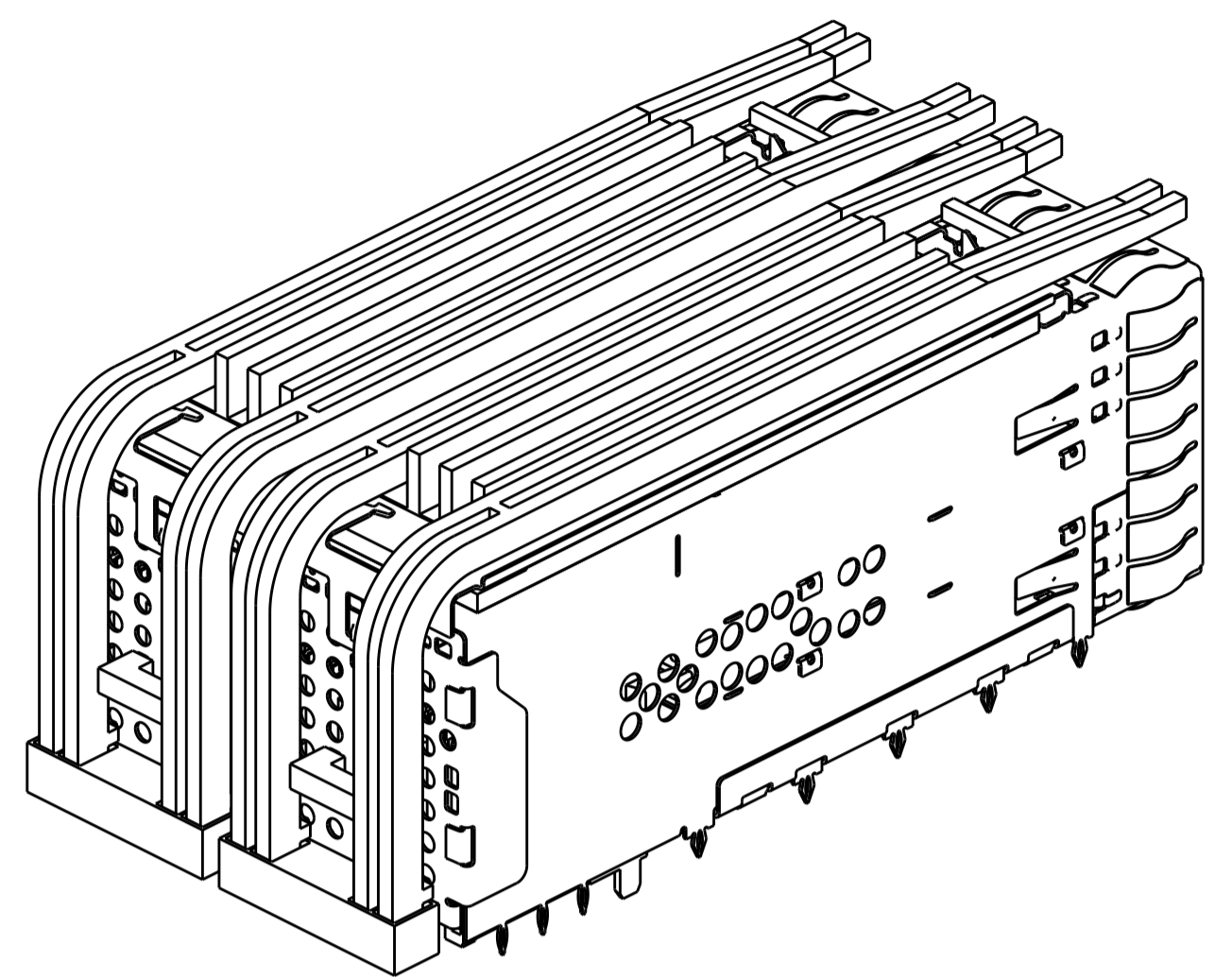
MATERIAL: SEE NOTE 1  
 FINISH: SEE NOTE 2

PRODUCT SPEC: 108-60102  
 APPLICATION SPEC: 114-60015  
 WEIGHT: -

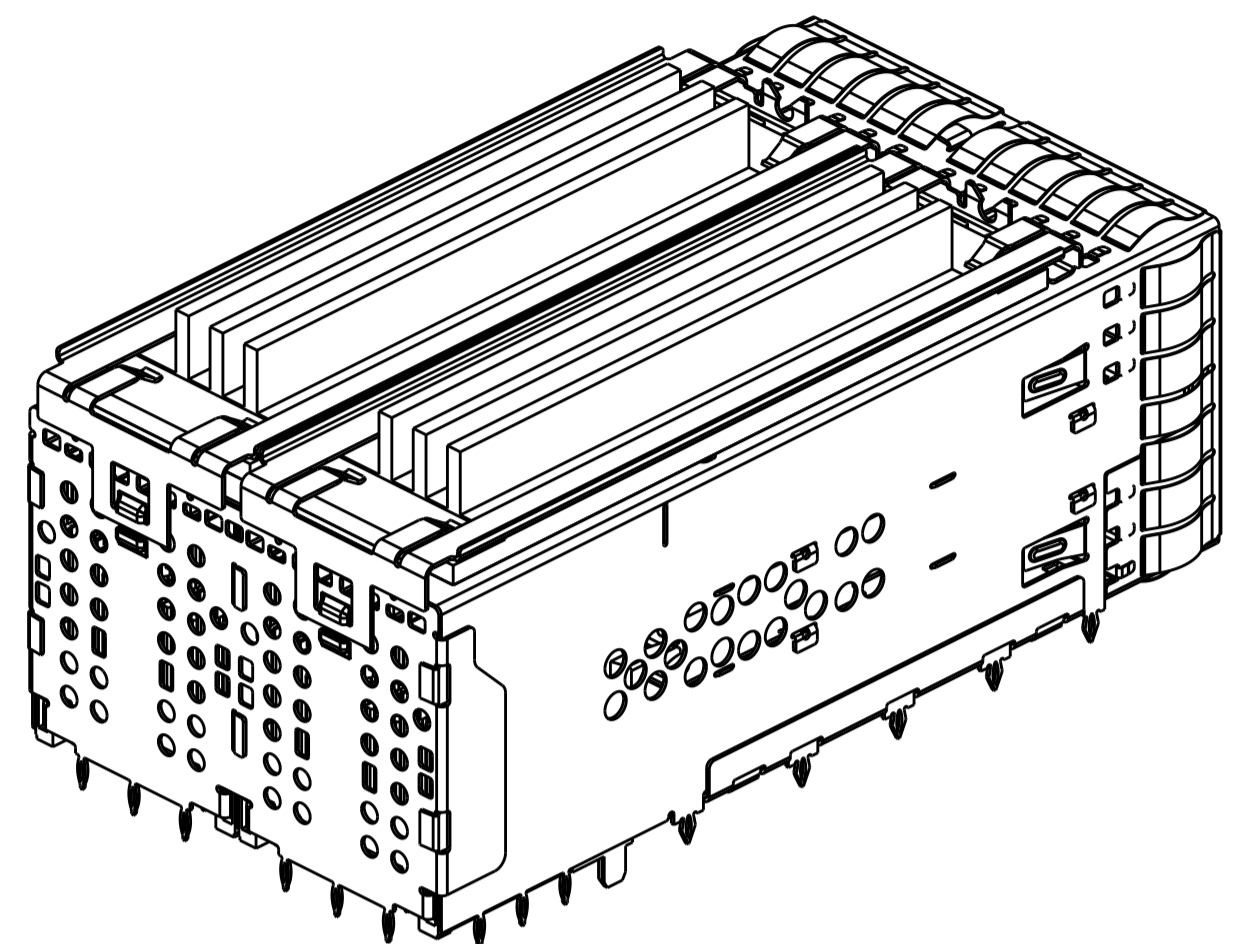
SCALE: 4:1  
 SHEET 1 OF 13  
 REV G

TE Connectivity  
 CAGE AND CONNECTOR ASSEMBLY WITH EMI SPRING FINGERS, THRU BEZEL, 2X2 ZOSFP+ STACKED WITH HS  
 SIZE: A1  
 CAGE CODE: 00779  
 DRAWING NO: 2299870

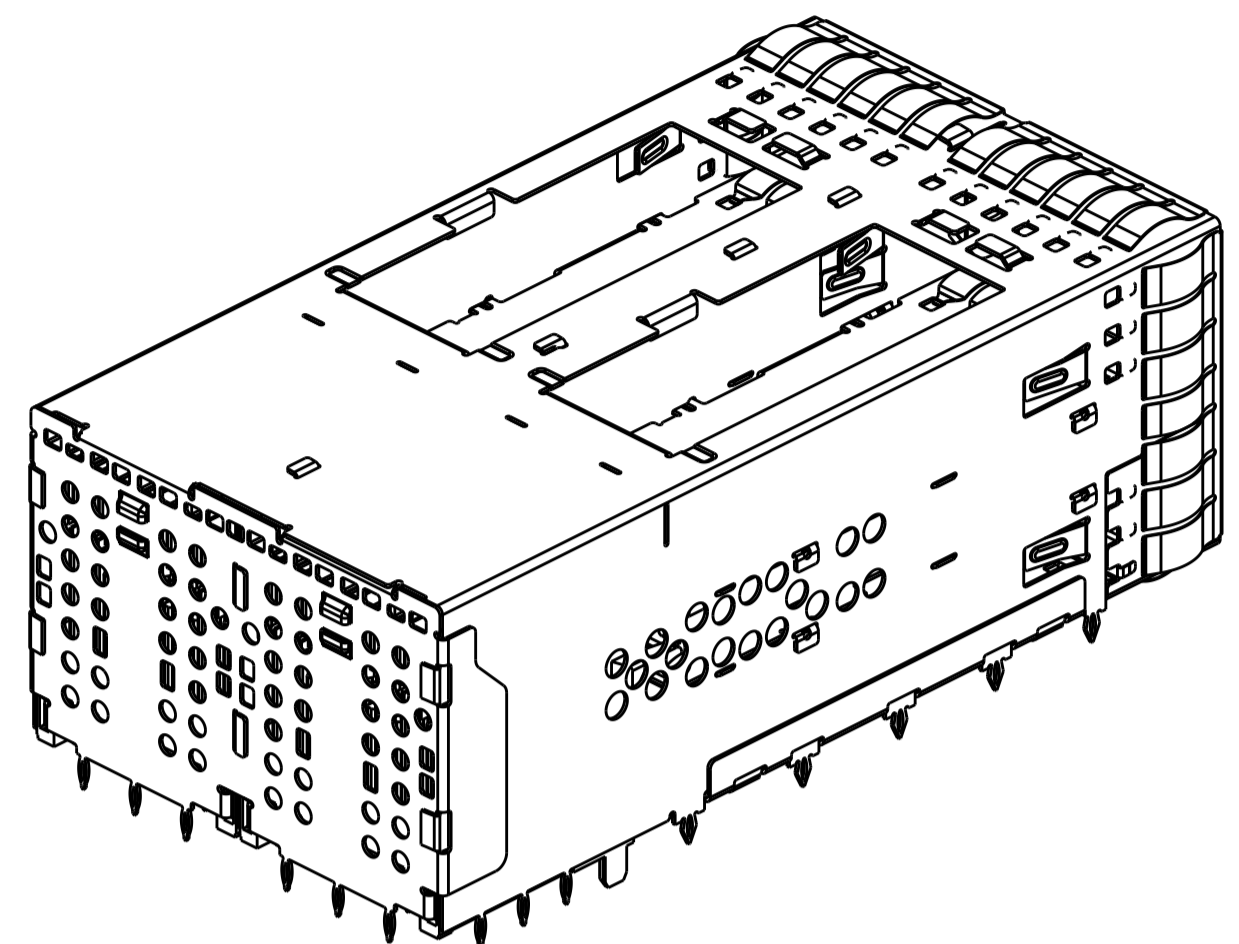
LOC		DIST		REVISIONS			
GP	00	P	LYR	DESCRIPTION	DATE	OWN	APVD
		-		SEE SHEET 1			



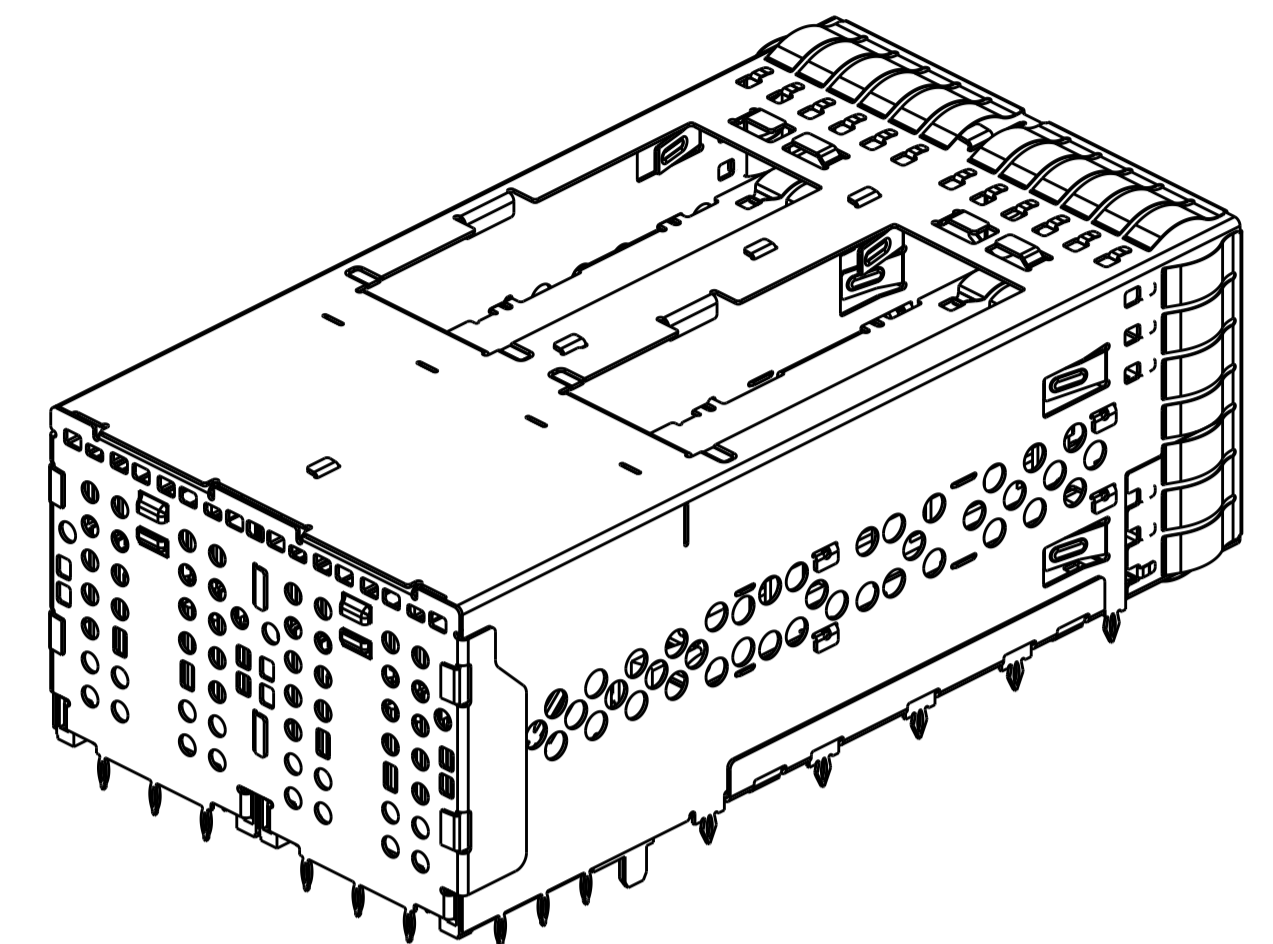
2299870-1 AS SHOWN  
SCALE 2:1



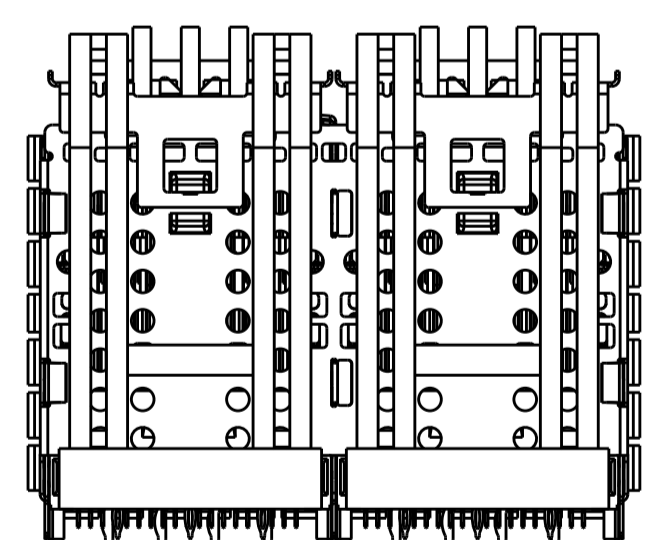
2299870-2 AND 1-2299870-2AS SHOWN  
SAME AS 2299870-1 EXCEPT  
W/O LEHT PIPE AND ORGANIZER  
SCALE 2:1



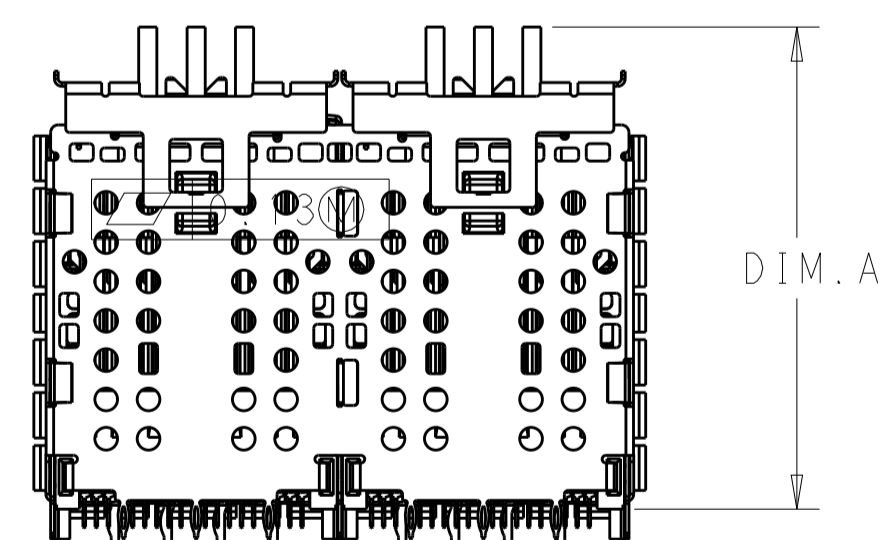
2299870-4 AS SHOWN  
SAME AS 2299870-2 EXCEPT  
W/O EXTERNAL HEAT SINK AND LP  
SCALE 2:1



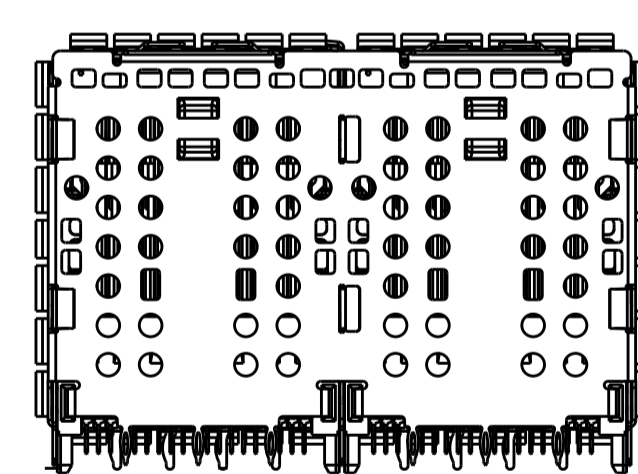
2299870-5  
2-2299870-1  
SCALE 2:1



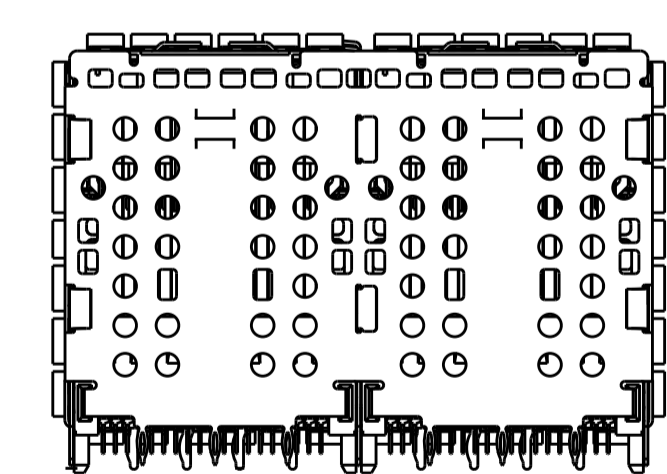
2299870-1  
SCALE 2:1



2299870-2  
1-2299870-2  
SCALE 2:1



2299870-4  
SCALE 2:1

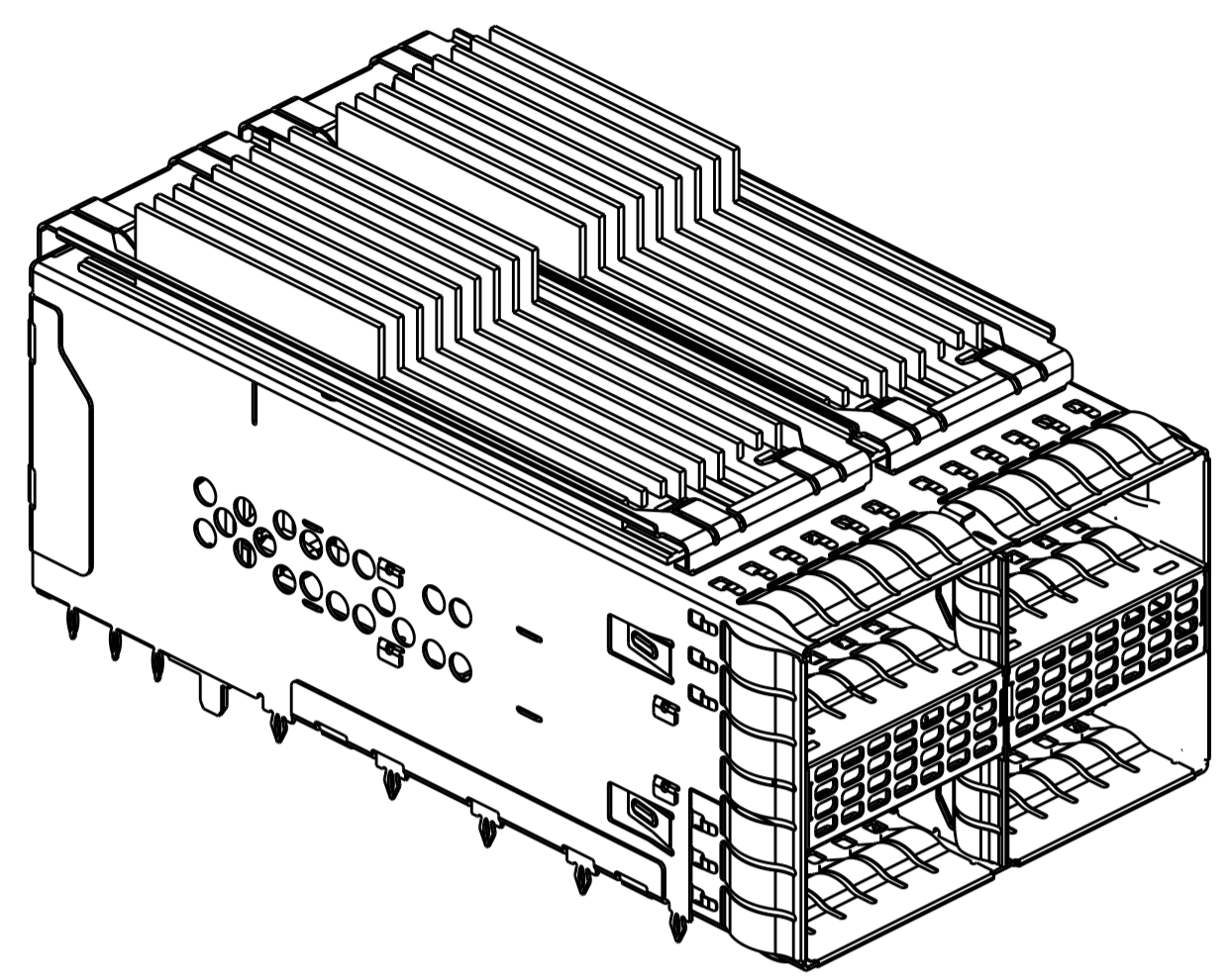


2299870-5  
2-2299870-1  
SCALE 2:1

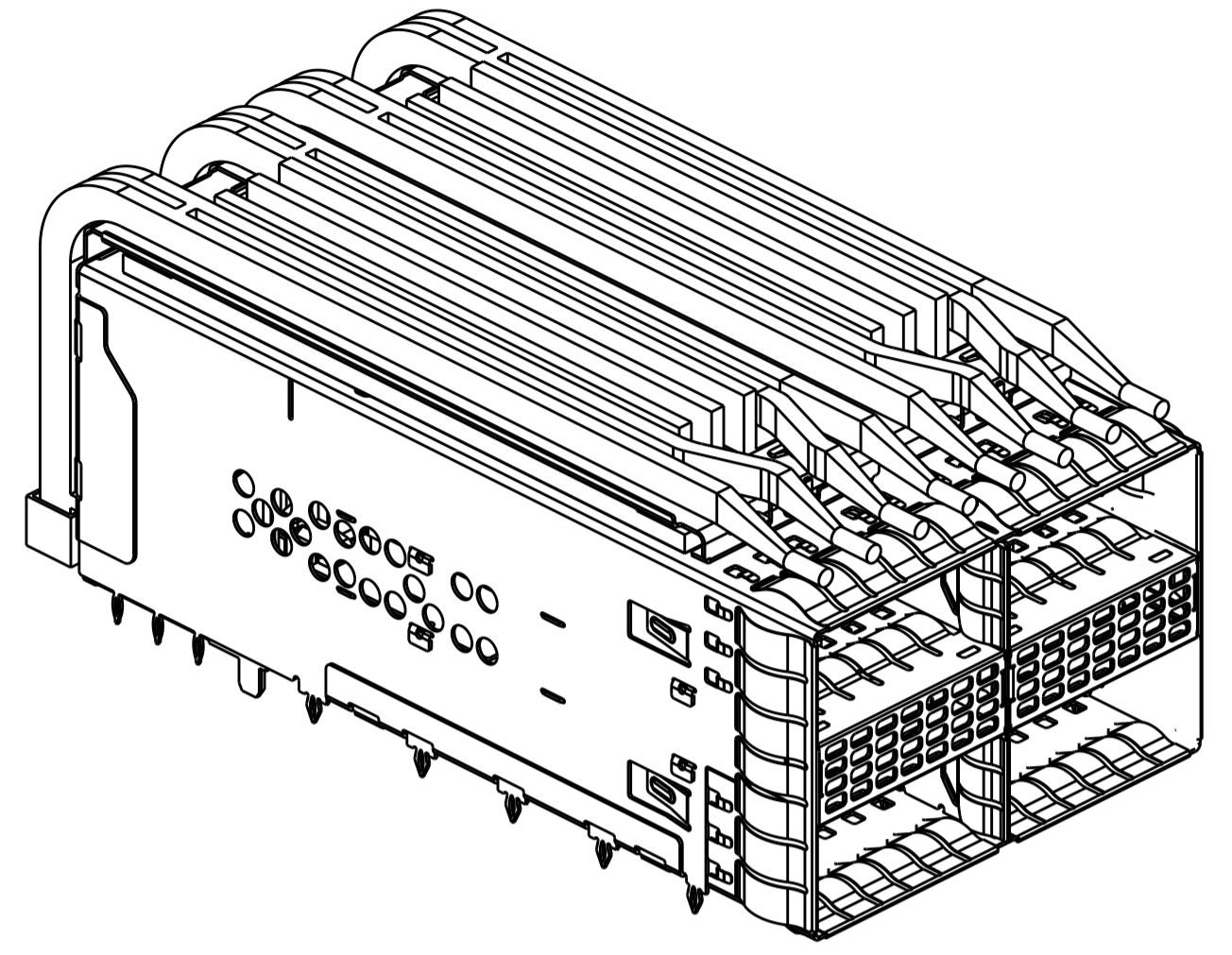
30.9	1-2299870-2
31.9	2299870-2
DIM.A	PART NUMBER

THIS DRAWING IS A CONTROLLED DOCUMENT.		OWN: TIM XUE 28JAN2016	TE Connectivity
DIMENSIONS: mm		CHK: SEAN HAN 28JAN2016	
TOLERANCES UNLESS OTHERWISE SPECIFIED: 0 PLC ± 1 PLC ±0.25 2 PLC ±0.15 3 PLC ± 4 PLC ± ANGLES ±		APVD: SEAN HAN 28JAN2016	NAME: CAGE AND CONNECTOR ASSEMBLY WITH EMI SPRING FINGERS, THRU BEZEL, 2X2 ZQSPF+ STACKED WITH HS
MATERIAL: SEE NOTE 1		FINISH: SEE NOTE 2	RESTRICTED TO: CUSTOMER DRAWING
DIMENSIONS: mm TOLERANCES UNLESS OTHERWISE SPECIFIED: 0 PLC ± 1 PLC ±0.25 2 PLC ±0.15 3 PLC ± 4 PLC ± ANGLES ±		PRODUCT SPEC: 108-60102 APPLICATION SPEC: 114-60015 WEIGHT: - SCALE: 4:1	SIZE: A1 CAGE CODE: 00779 DRAWING NO: 2299870 SHEET 2 OF 13 REV G

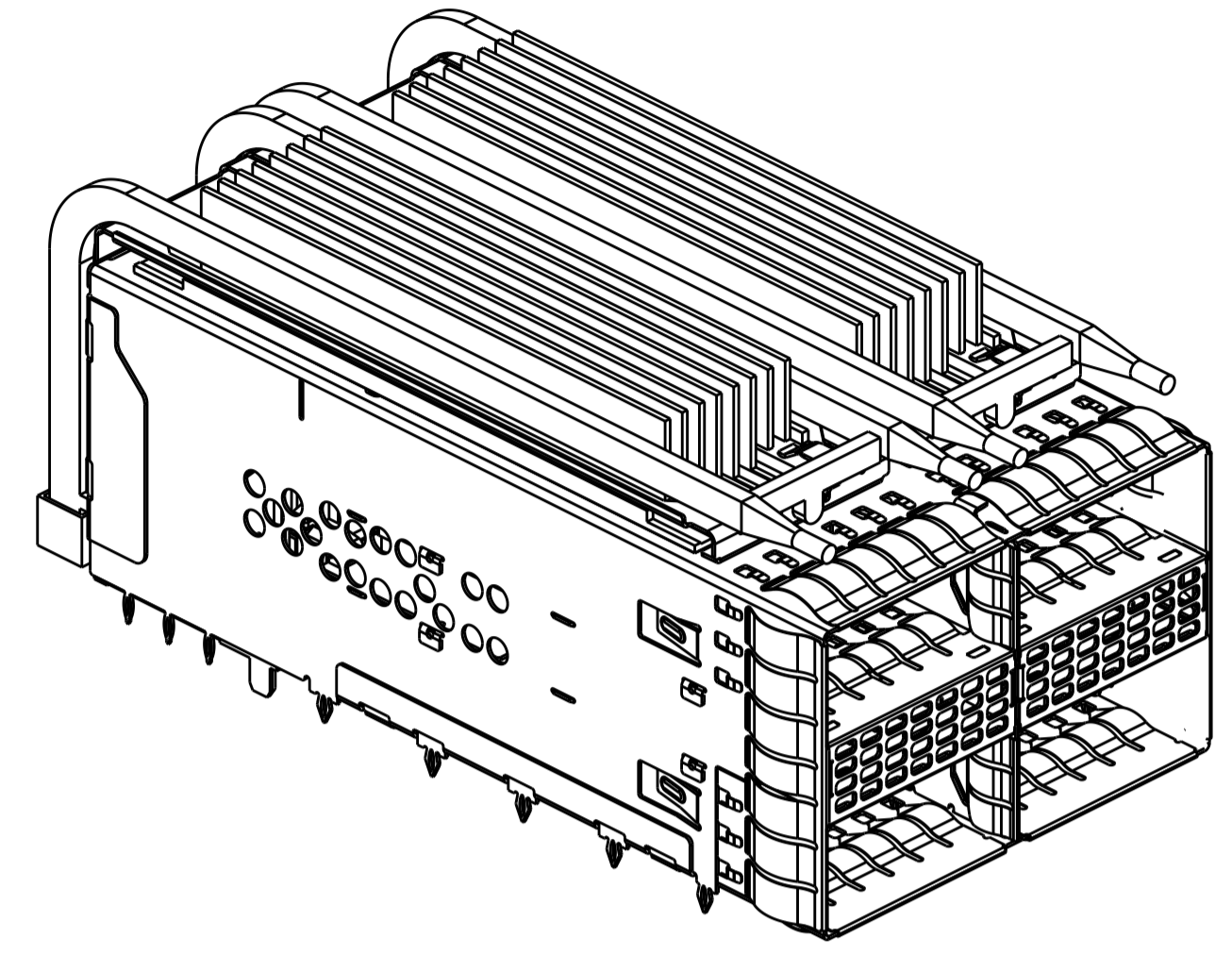
LOC	DIST	REVISIONS			
P	LYR	DESCRIPTION	DATE	OWN	APVD
GP	00	SEE SHEET 1			



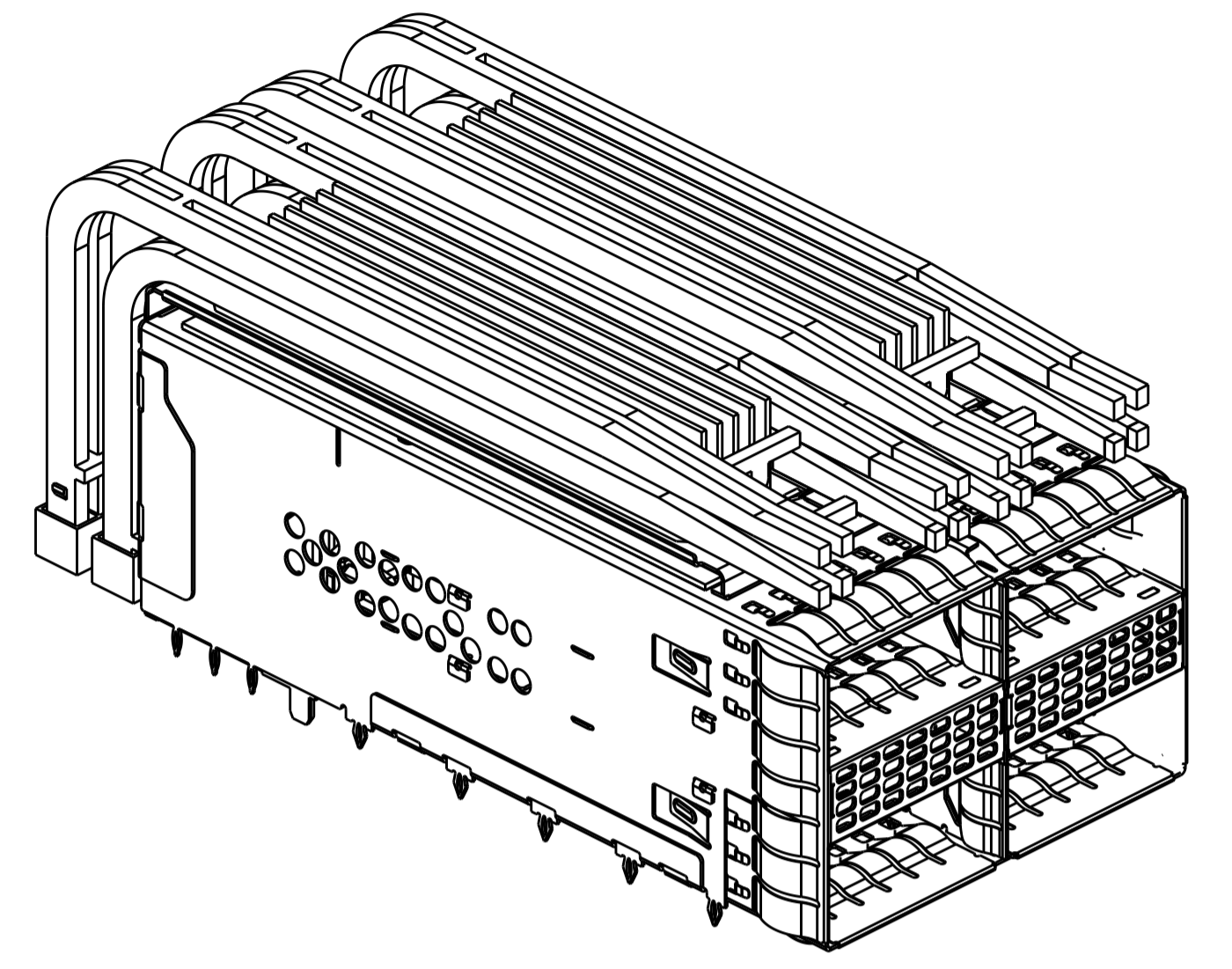
2299870-6  
SCALE 2:1



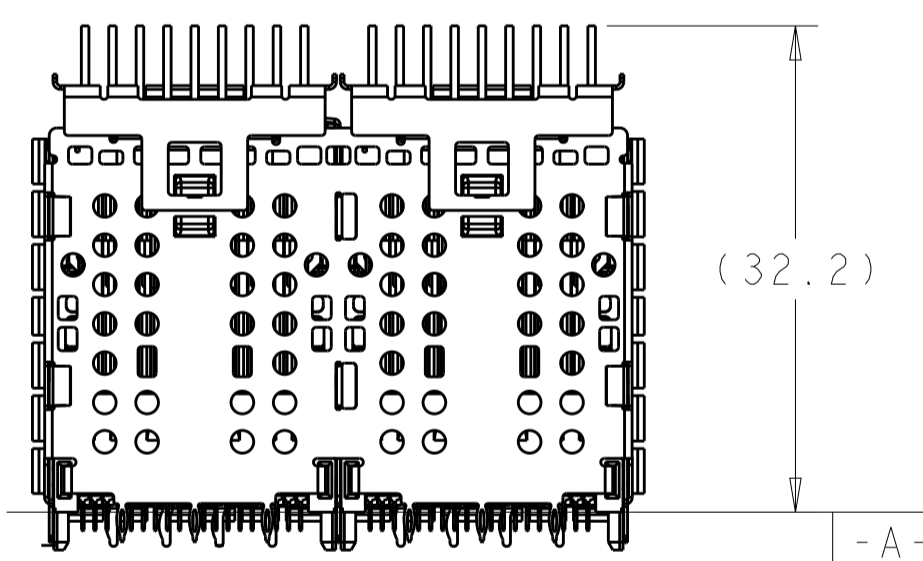
2299870-7  
SCALE 2:1



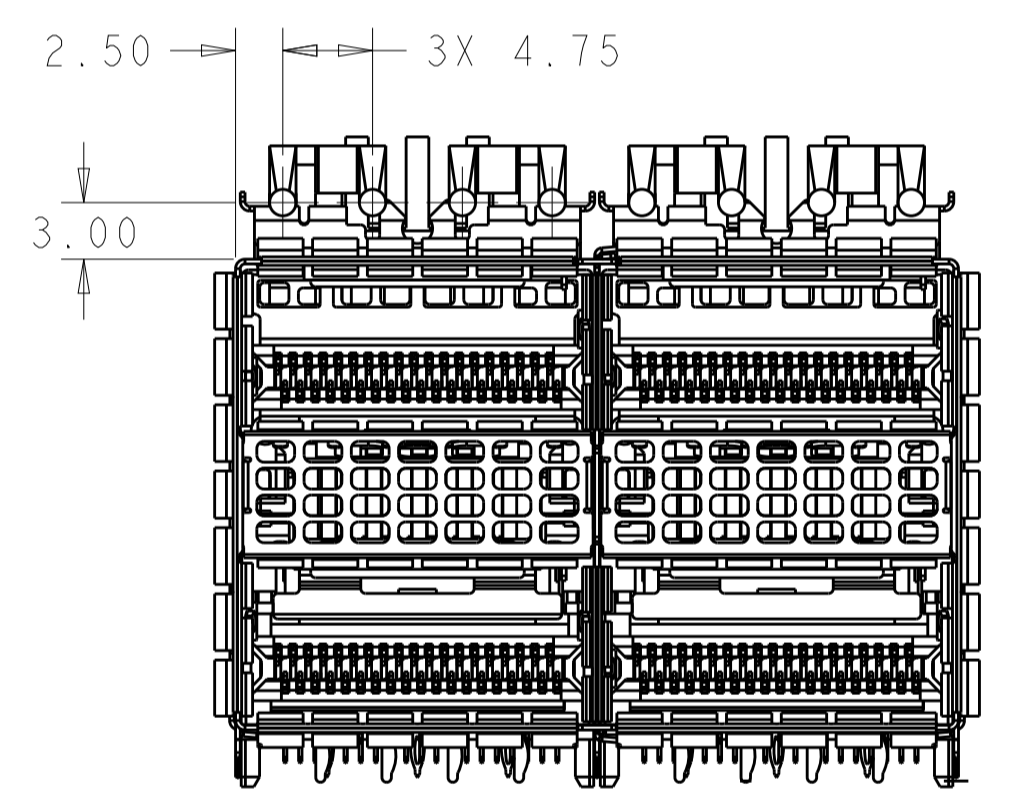
2299870-8  
SCALE 2:1



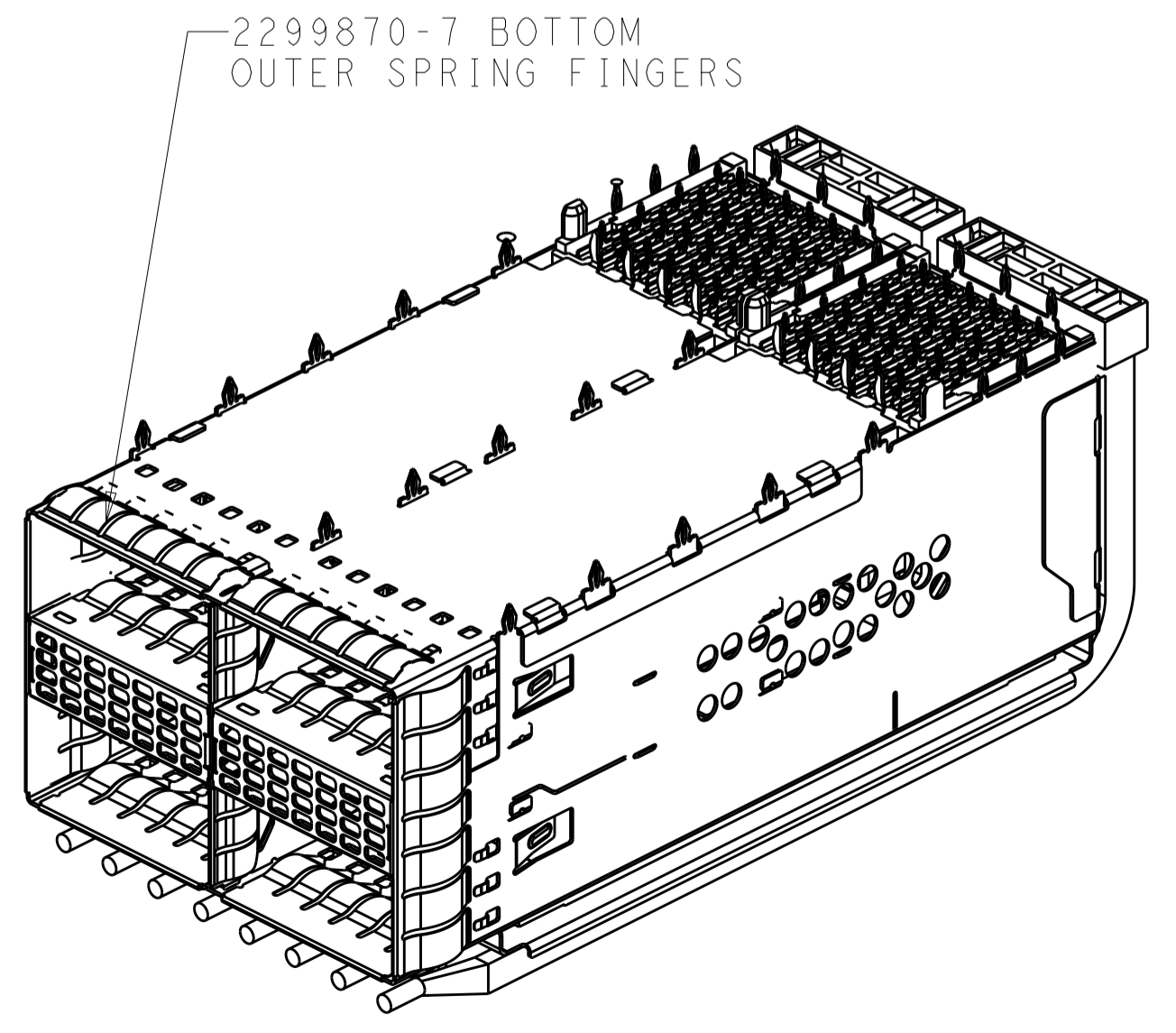
2299870-9  
SCALE 2:1



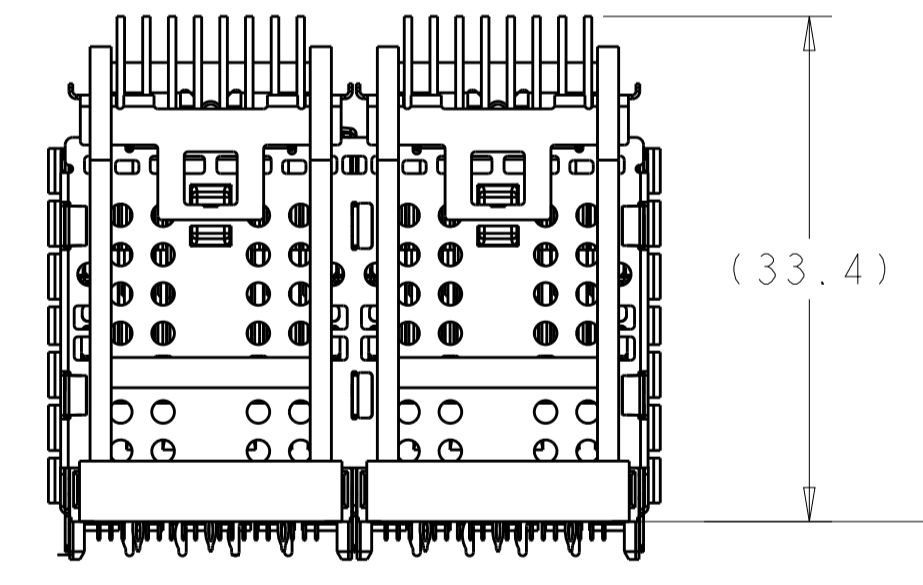
2299870-6  
SCALE 2:1



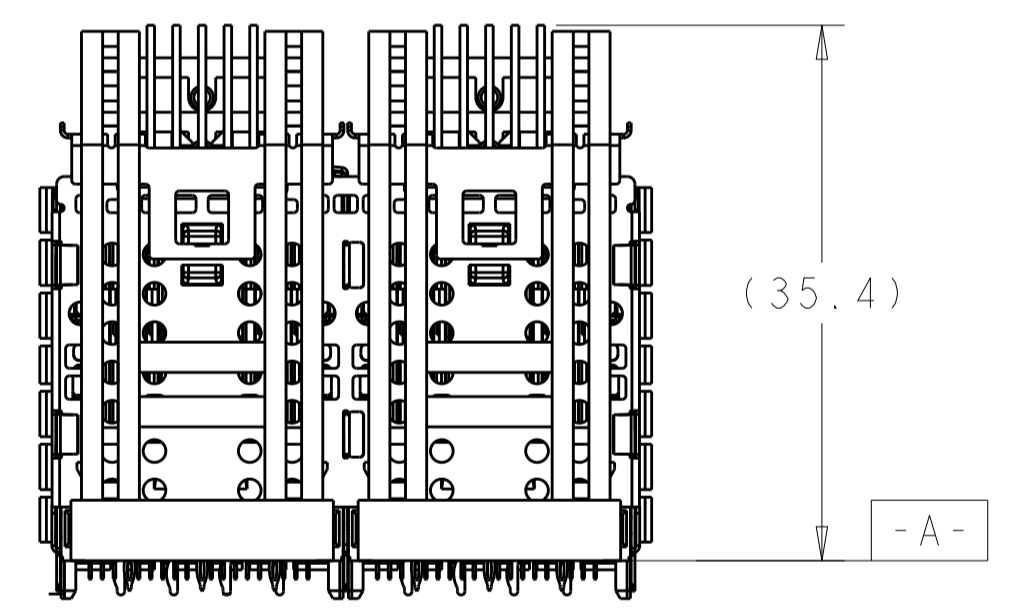
SCALE 5:2



2299870-7  
SCALE 2:1



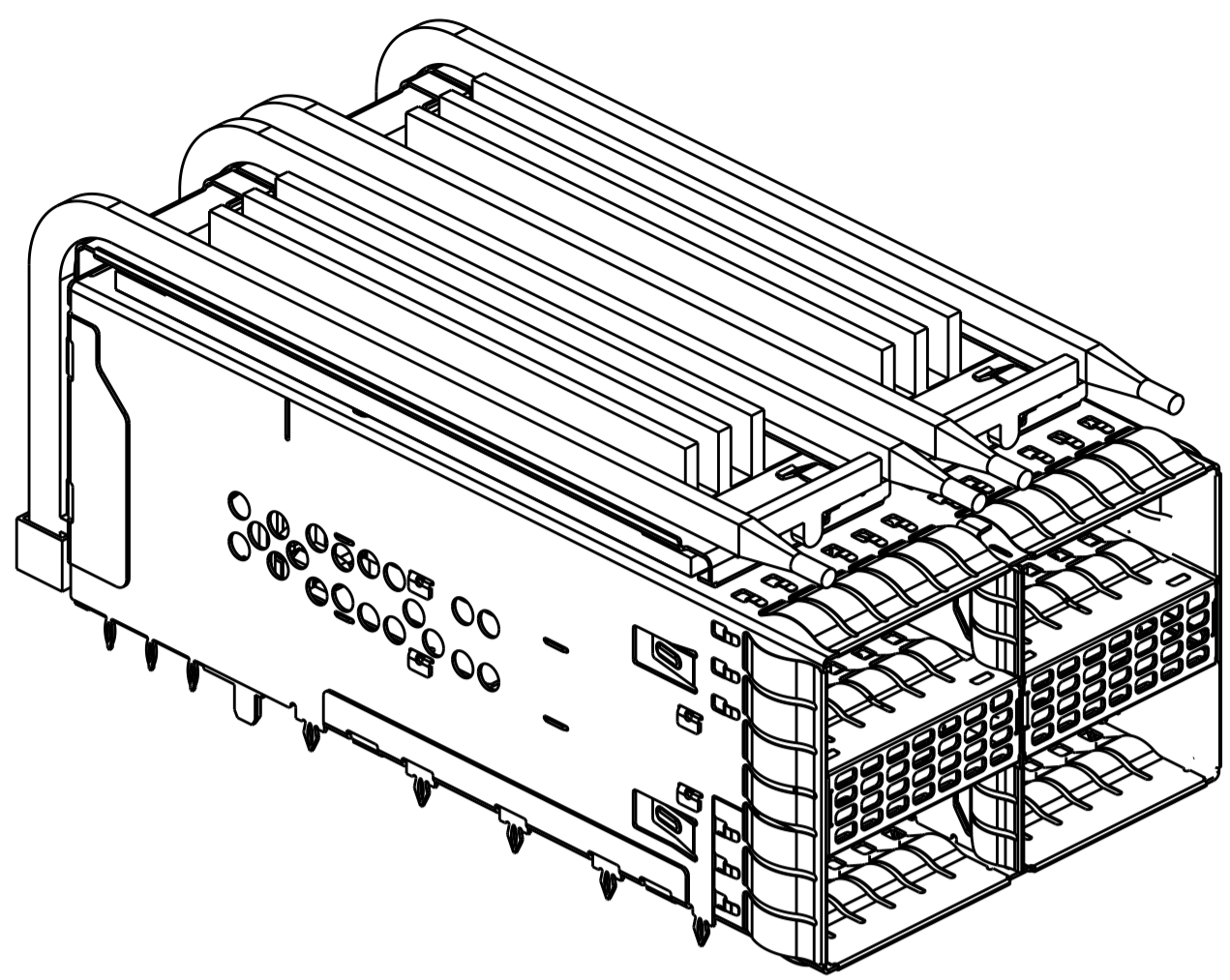
2299870-8  
SCALE 2:1



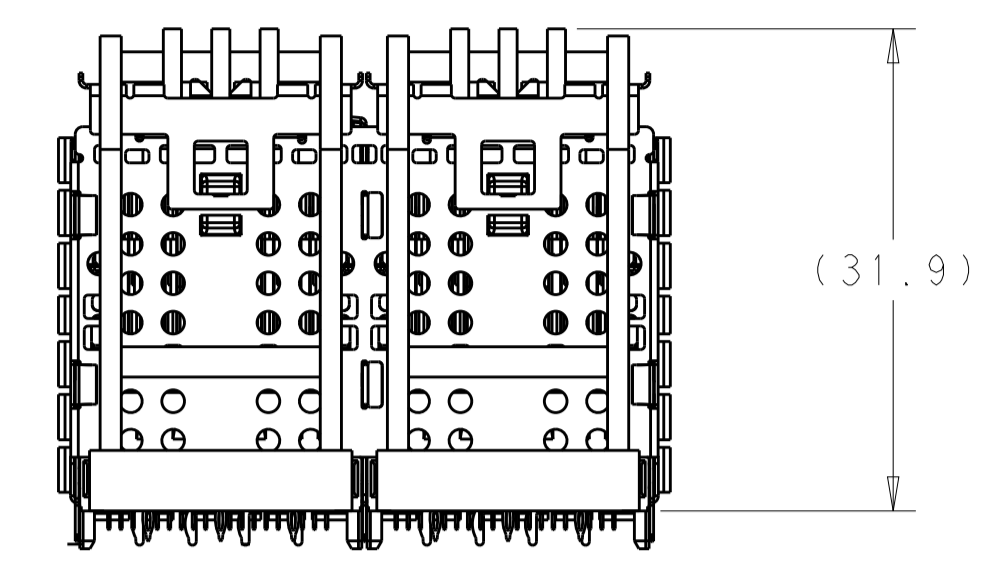
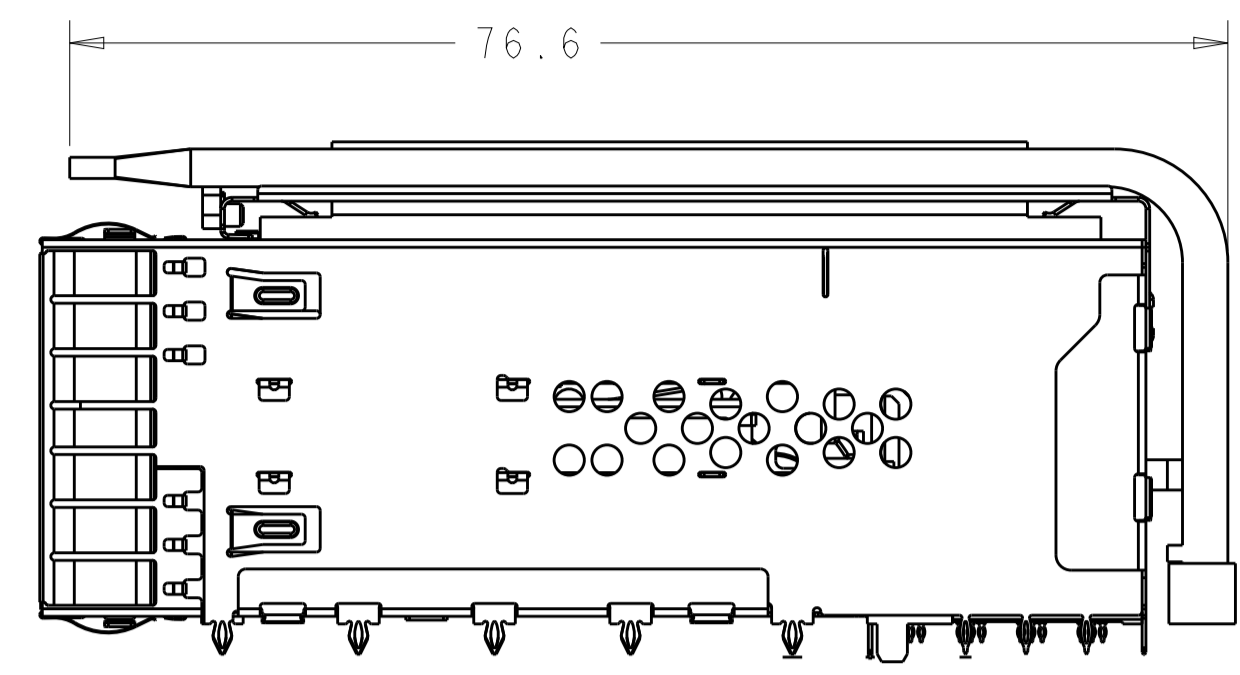
SCALE 2:1

THIS DRAWING IS A CONTROLLED DOCUMENT.		OWN: TIM XUE 28JAN2016	TE Connectivity
DIMENSIONS: mm		CHK: SEAN HAN 28JAN2016	
TOLERANCES UNLESS OTHERWISE SPECIFIED:		APVD: SEAN HAN 28JAN2016	
0 PLC ± 1 PLC ±0.25 2 PLC ±0.15 3 PLC ± 4 PLC ± ANGLES ±		NAME: CAGE AND CONNECTOR ASSEMBLY WITH EMI SPRING FINGERS, THRU BEZEL, 2X2 ZOSFP+ STACKED WITH HS	
MATERIAL: SEE NOTE 1	FINISH: SEE NOTE 2	PRODUCT SPEC: 108-60102	SIZE: 114-60015
CUSTOMER DRAWING		WEIGHT: A100779	RESTRICTED TO: C=2299870
		SCALE: 4:1	SHEET 3 OF 13 REV G

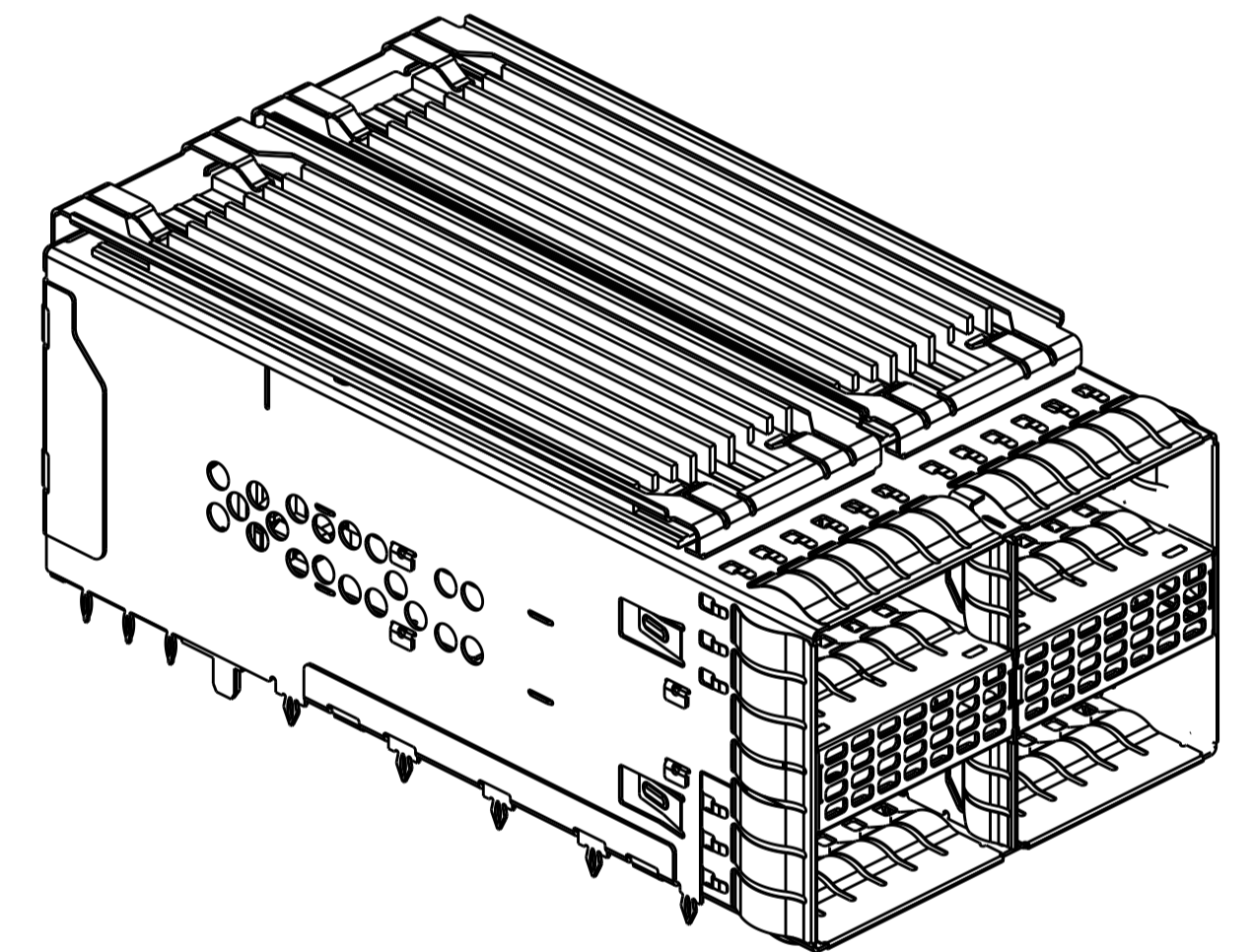
LOC		DIST		REVISIONS			
GP	00	P	LYN	DESCRIPTION	DATE	OWN	APVD
		-		SEE SHEET 1			



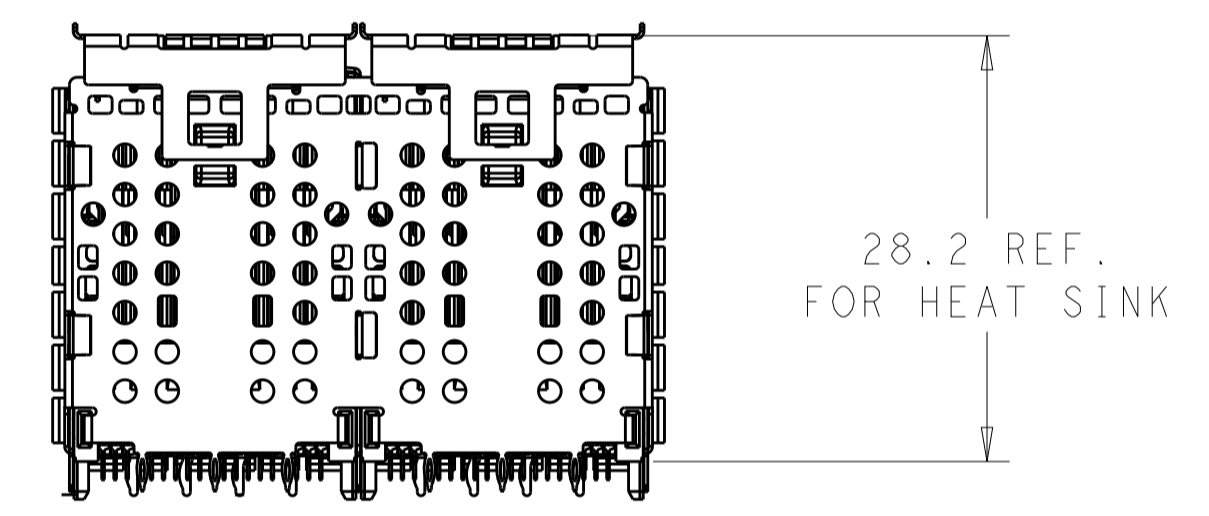
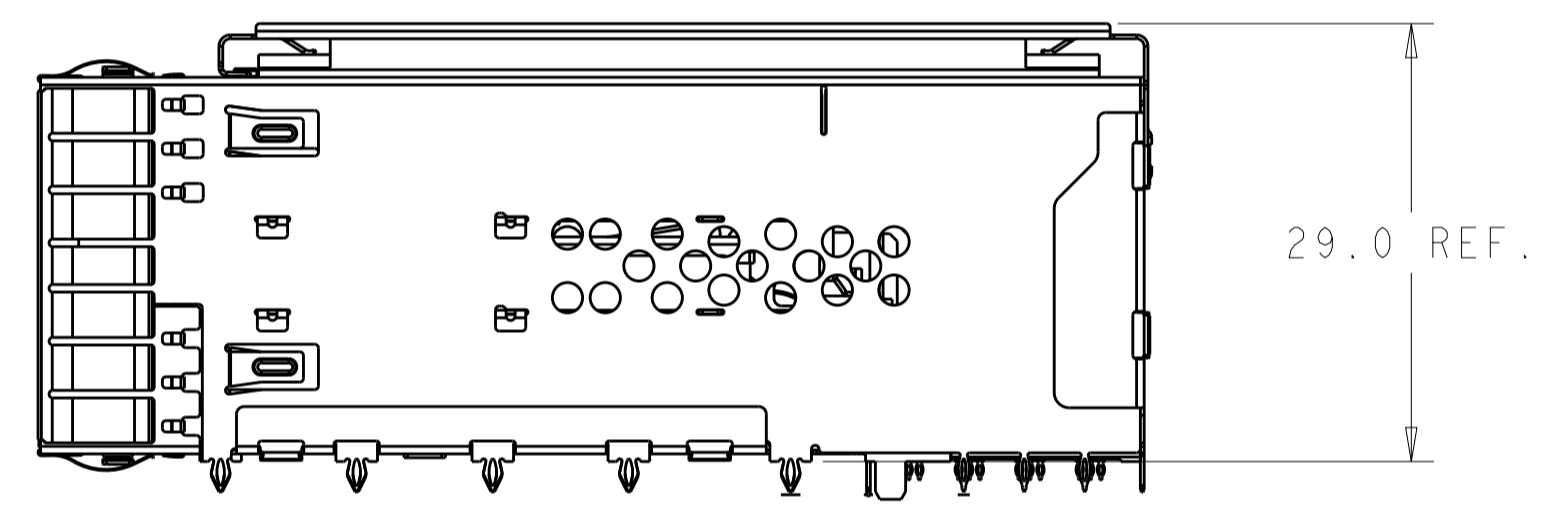
1-2299870-0  
SCALE 2:1



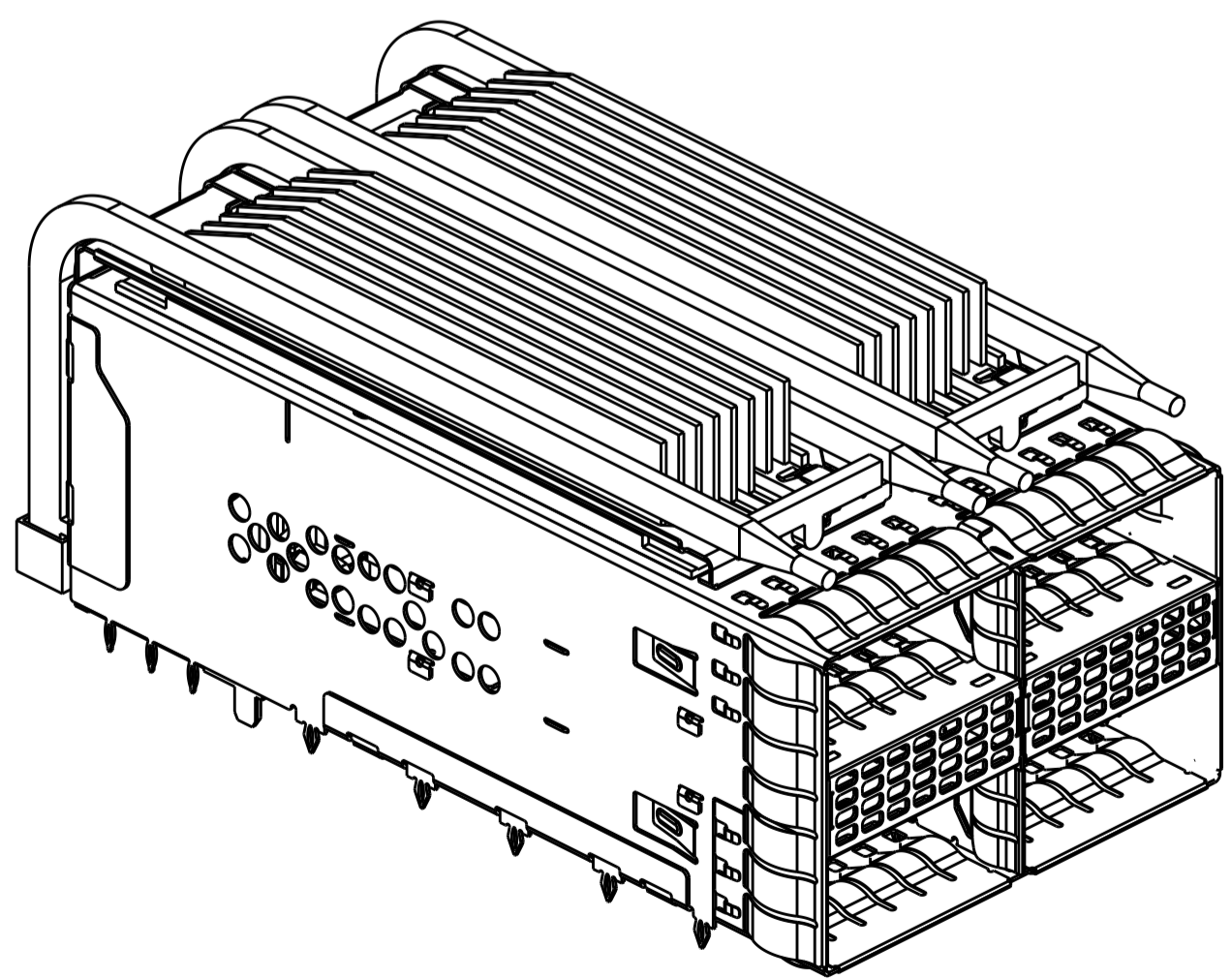
1-2299870-0  
SCALE 2:1



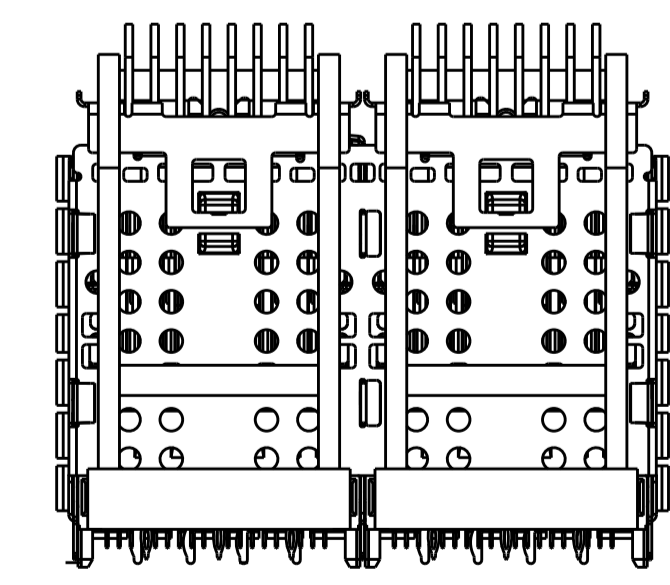
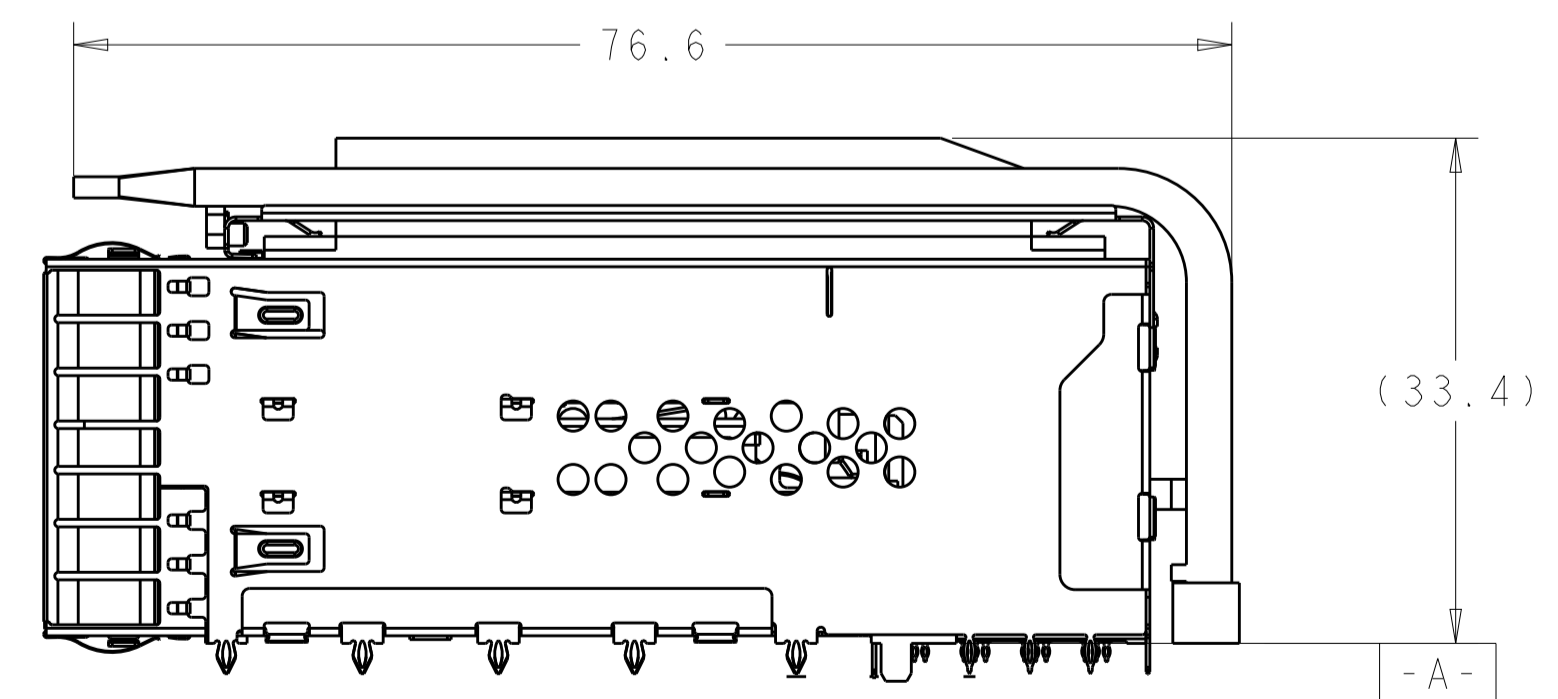
1-2299870-6  
SCALE 2:1



SCALE 2:1



1-2299870-8  
2-2299870-8  
SCALE 2:1

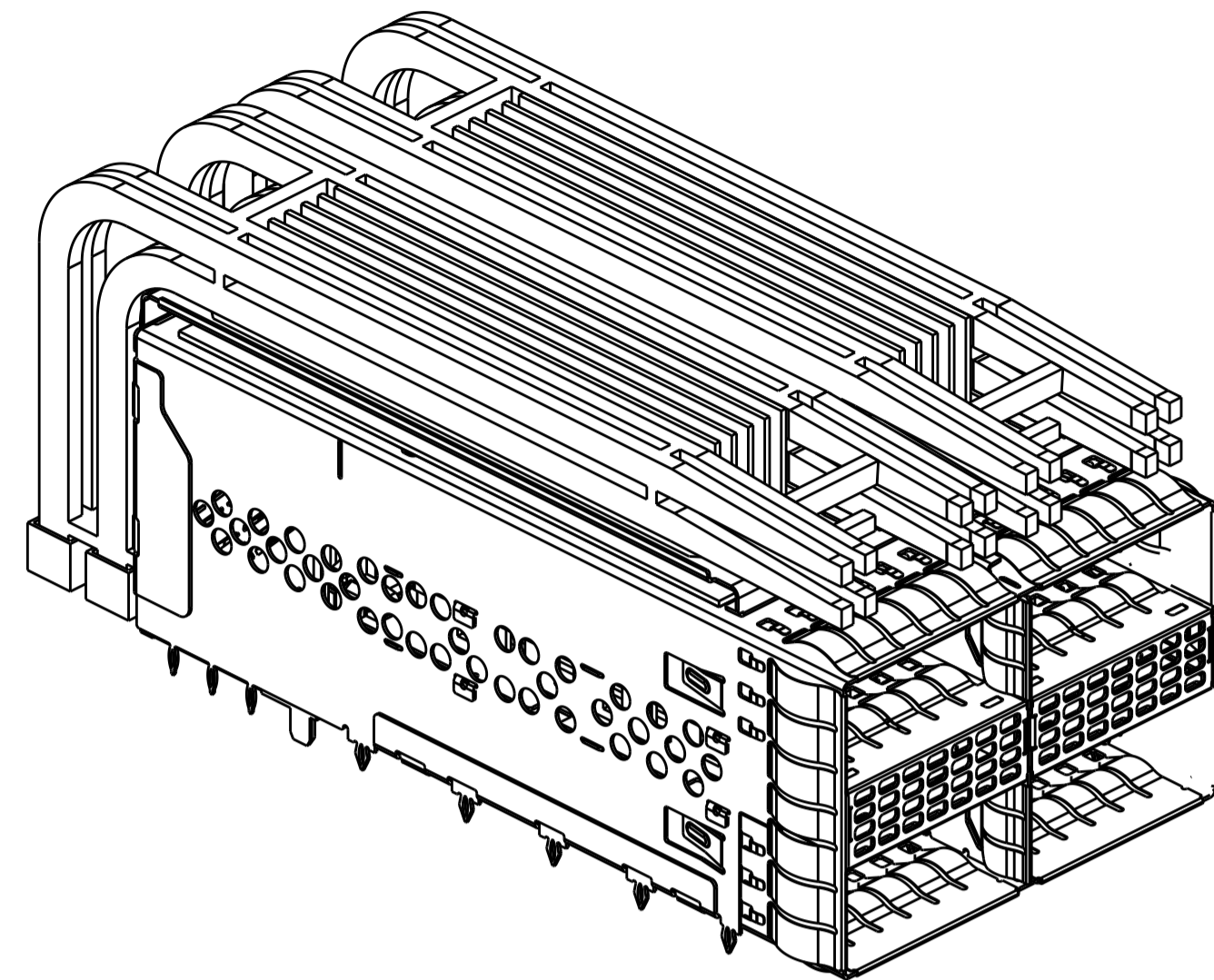


1-2299870-8  
2-2299870-8  
SCALE 2:1

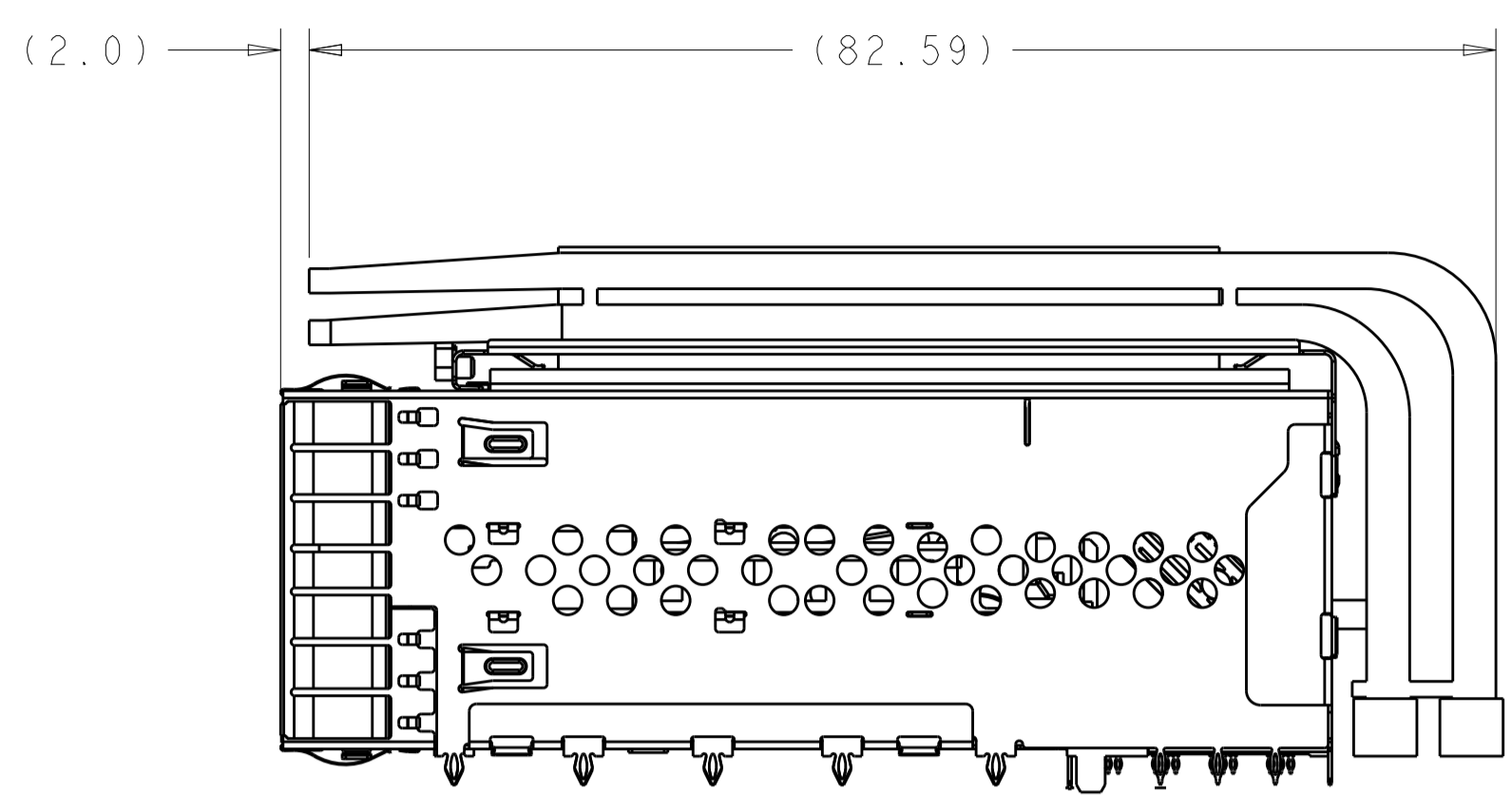
THIS DRAWING IS A CONTROLLED DOCUMENT.		OWN TIM XUE 28JAN2016	
DIMENSIONS:		CHK SEAN HAN 28JAN2016	
mm	TOLERANCES UNLESS OTHERWISE SPECIFIED:	APVD SEAN HAN 28JAN2016	NAME
0 PLC ±	1 PLC ±0.25	PRODUCT SPEC	CAGE AND CONNECTOR ASSEMBLY WITH
2 PLC ±0.15	3 PLC ±	108-60102	EMI SPRING FINGERS, THRU BEZEL,
4 PLC ±	ANGLES ±	APPLICATION SPEC	2X2 ZQSF+ STACKED WITH HS
MATERIAL	FINISH	114-60015	SIZE
SEE NOTE 1	SEE NOTE 2	WEIGHT	CAGE CODE DRAWING NO
		CUSTOMER DRAWING	A100779C=2299870
		SCALE 4:1	RESTRICTED TO
		SHEET 4 OF 13	REV G



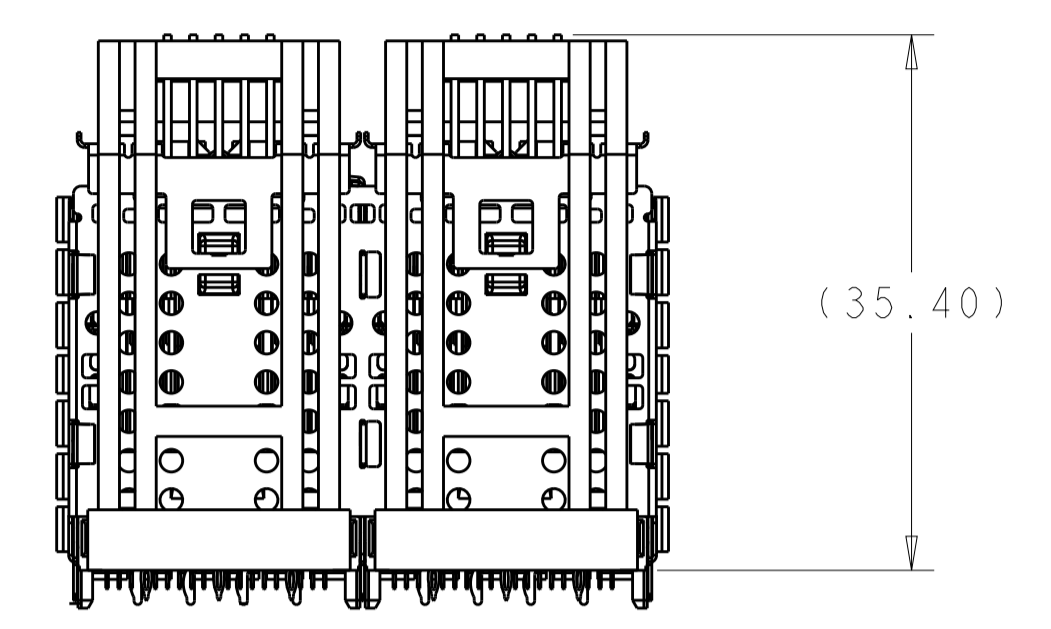
LOC	DIST	REVISIONS			
P	LYR	DESCRIPTION	DATE	OWN	APVD
GP	00	SEE SHEET 1			



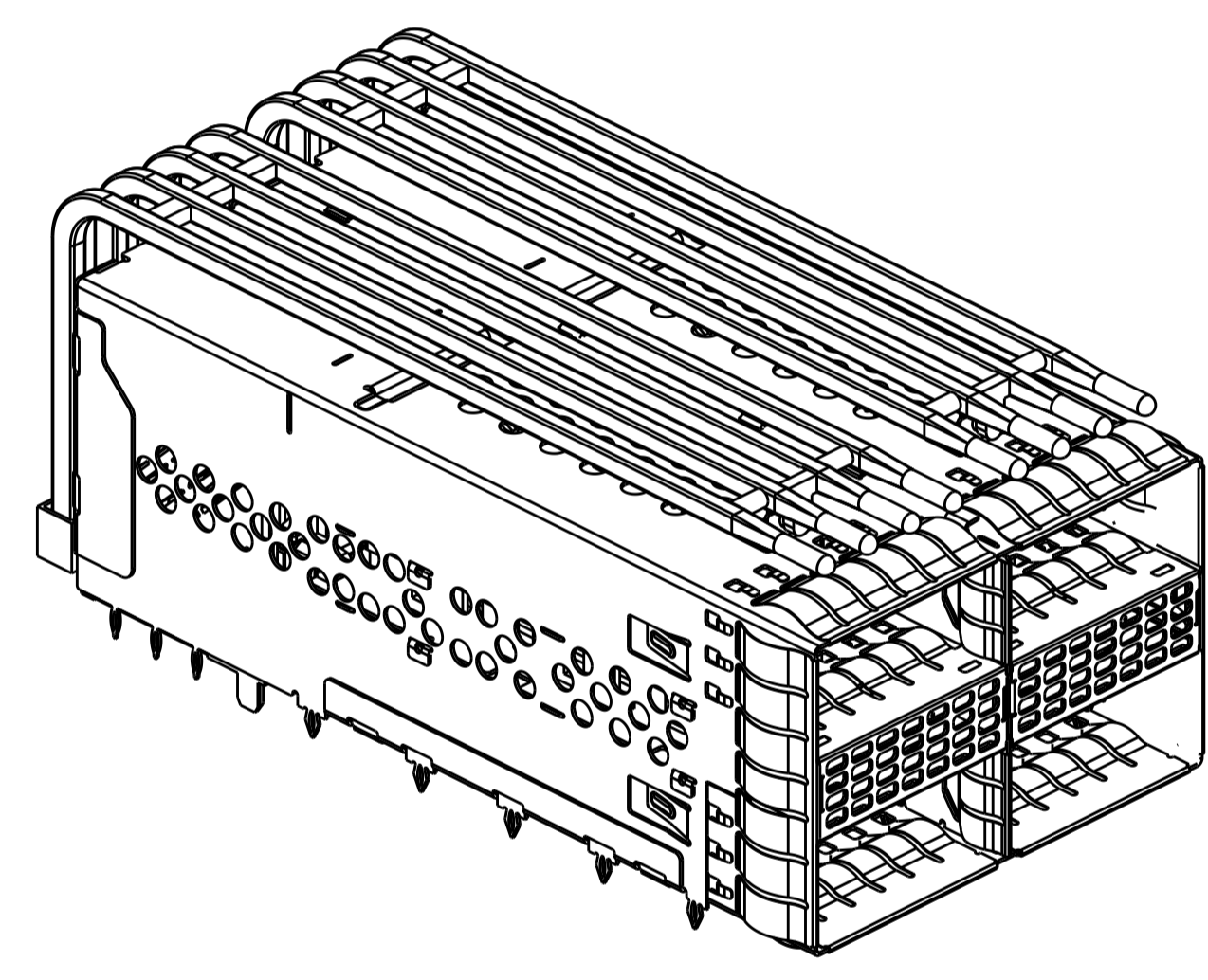
1-2299870-5  
SCALE 2:1



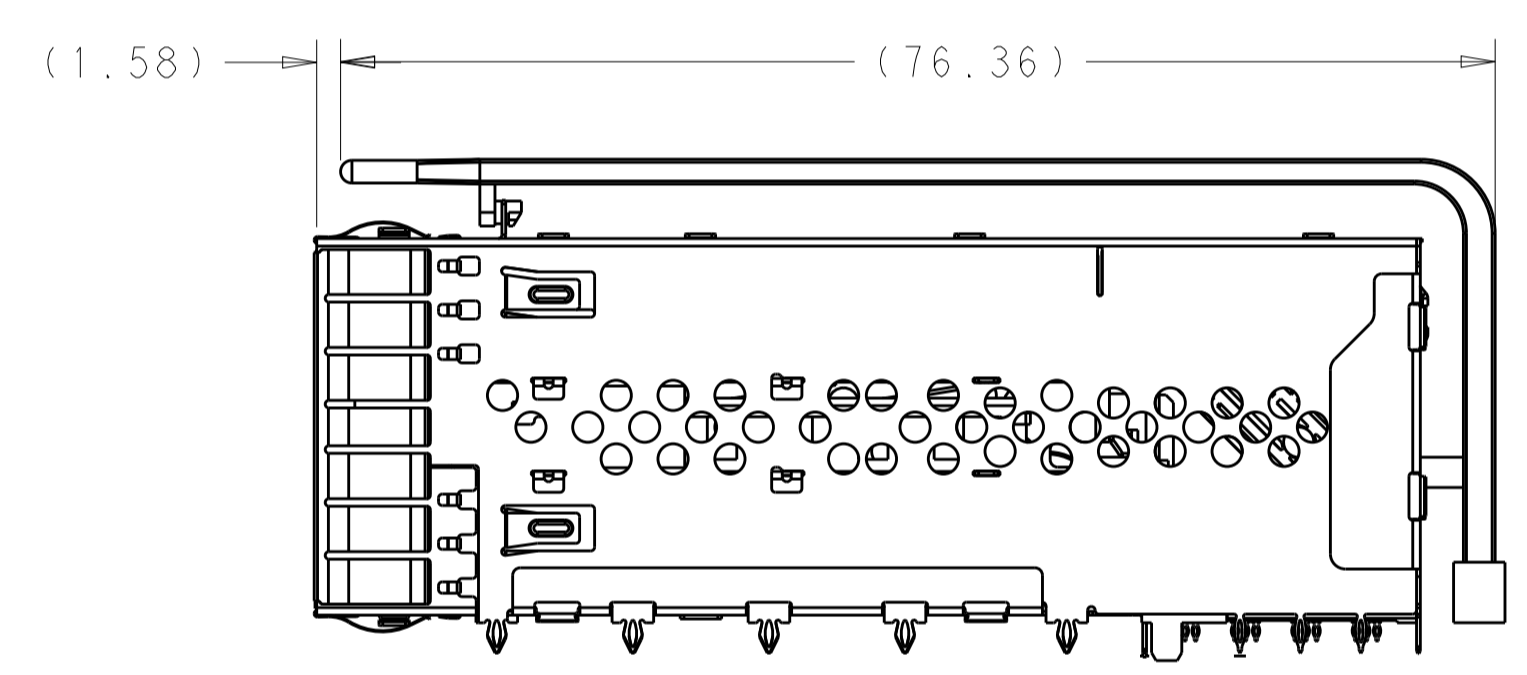
SCALE 2:1



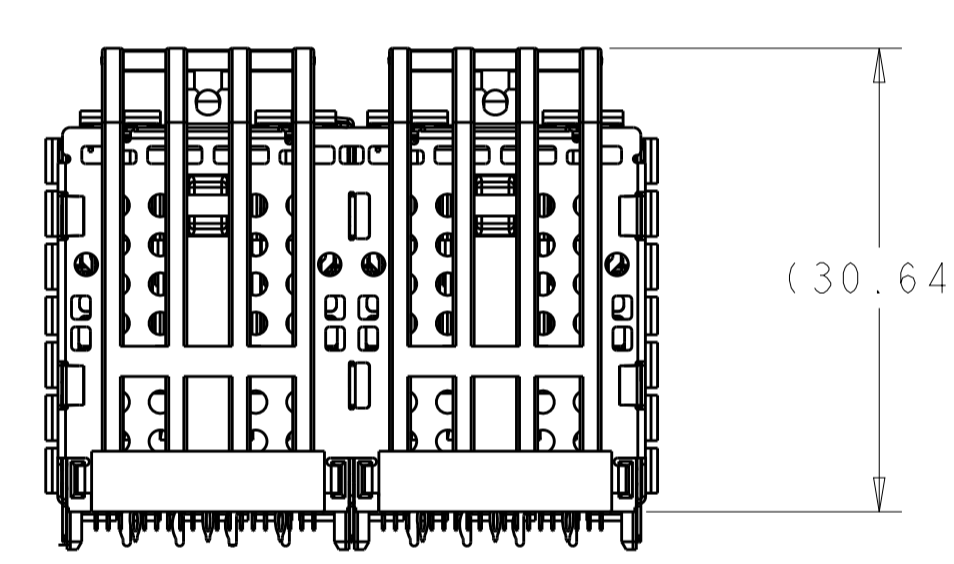
(35.40)



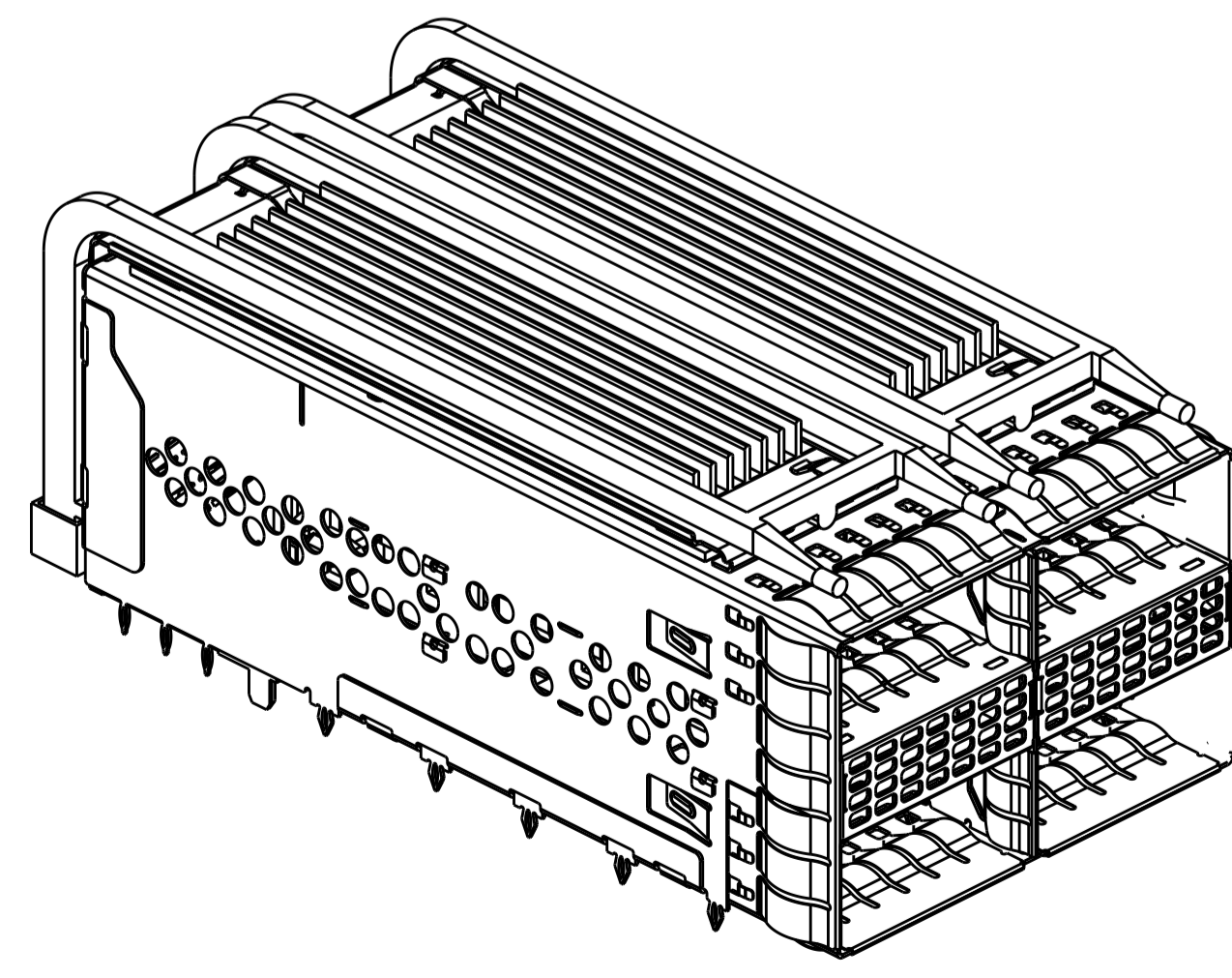
2-2299870-5  
SCALE 2:1



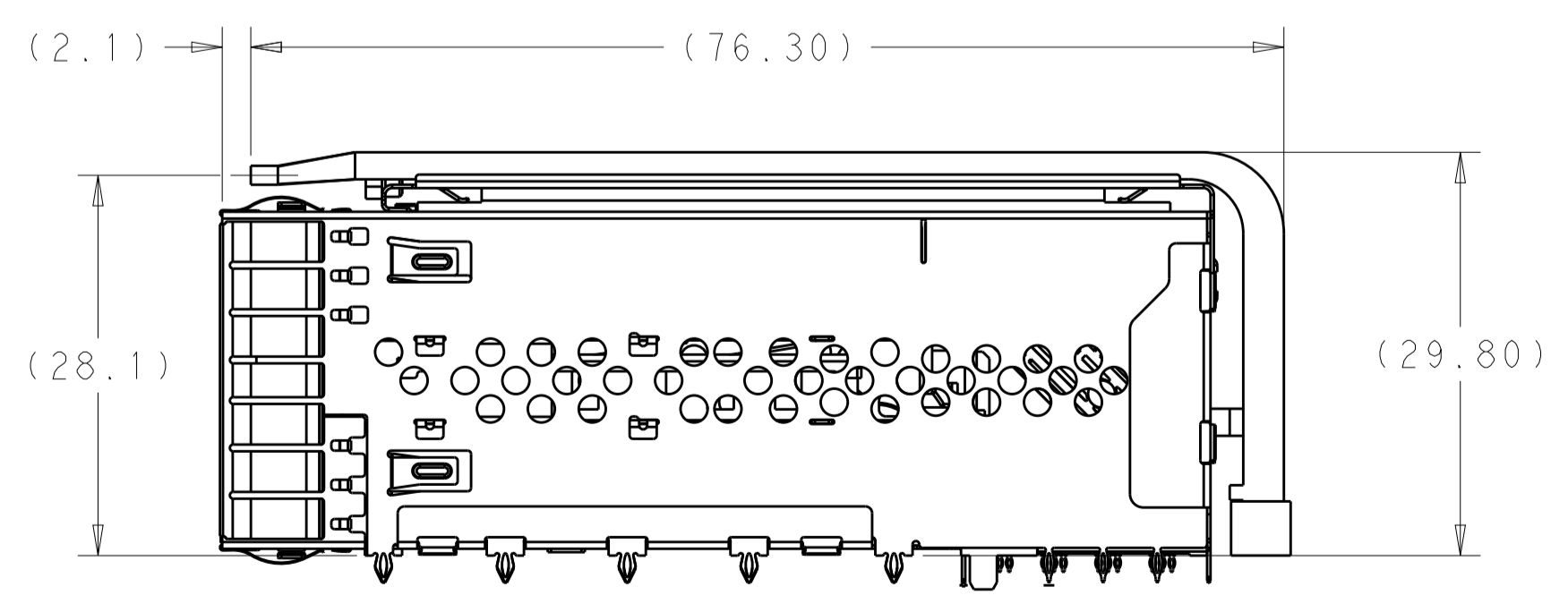
SCALE 2:1



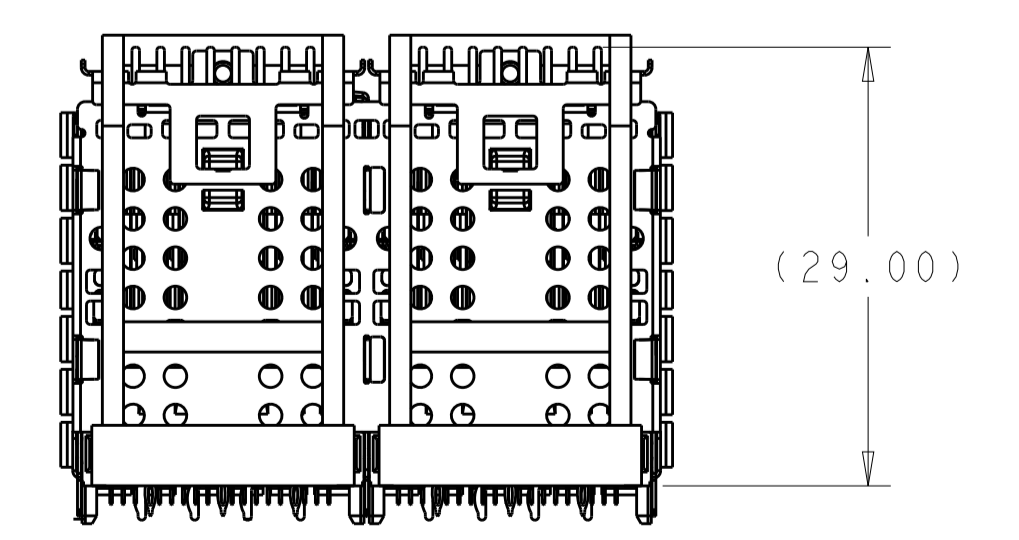
(30.64)



2-2299870-0  
SCALE 2:1



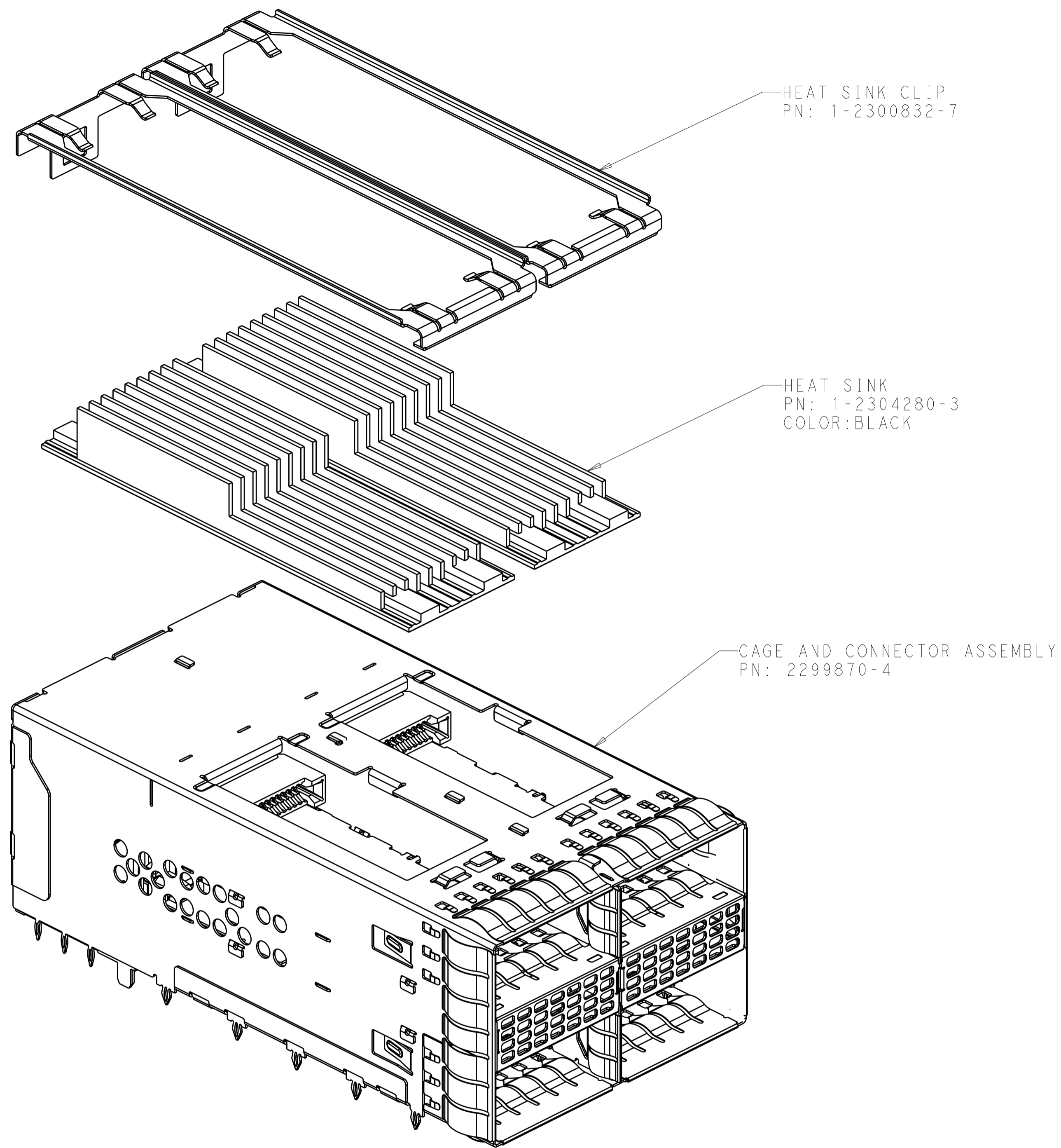
SCALE 2:1



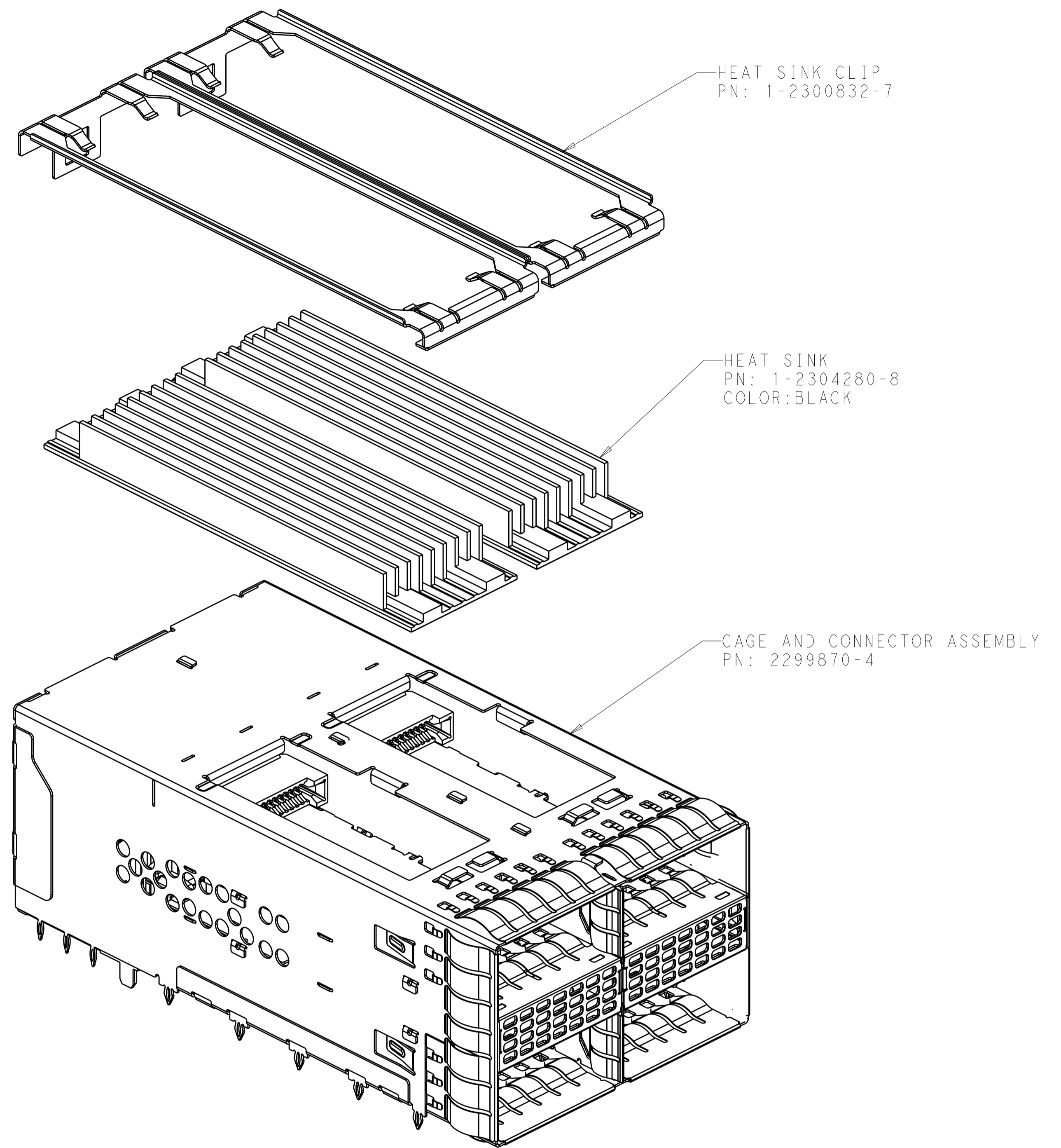
(29.00)

THIS DRAWING IS A CONTROLLED DOCUMENT.		OWN: TIM XUE 28JAN2016	TE Connectivity
DIMENSIONS:		CHK: SEAN HAN 28JAN2016	
TOLERANCES UNLESS OTHERWISE SPECIFIED:		APVD: SEAN HAN 28JAN2016	
mm 0 PLC ± 1 PLC ±0.25 2 PLC ±0.15 3 PLC ± 4 PLC ± ANGLES ± FINISH ±		NAME: CAGE AND CONNECTOR ASSEMBLY WITH EMI SPRING FINGERS, THRU BEZEL, 2X2 ZQSPF+ STACKED WITH HS PRODUCT SPEC: 108-60102 APPLICATION SPEC: 114-60015 WEIGHT: - CUSTOMER DRAWING	
MATERIAL: SEE NOTE 1		SIZE: A100779	RESTRICTED TO: -
SCALE: 4:1		SHEET: 5 OF 13	REV: G

LOC	DIST	REVISIONS			
P	LTN	DESCRIPTION	DATE	DMN	APVD
-	-	SEE SHEET 1	-	-	-



2299870-3 AS SHOWN, KIT PACKAGE  
 SCALE 3:1



1-2299870-3 AS SHOWN, KIT PACKAGE  
 SCALE 3:1

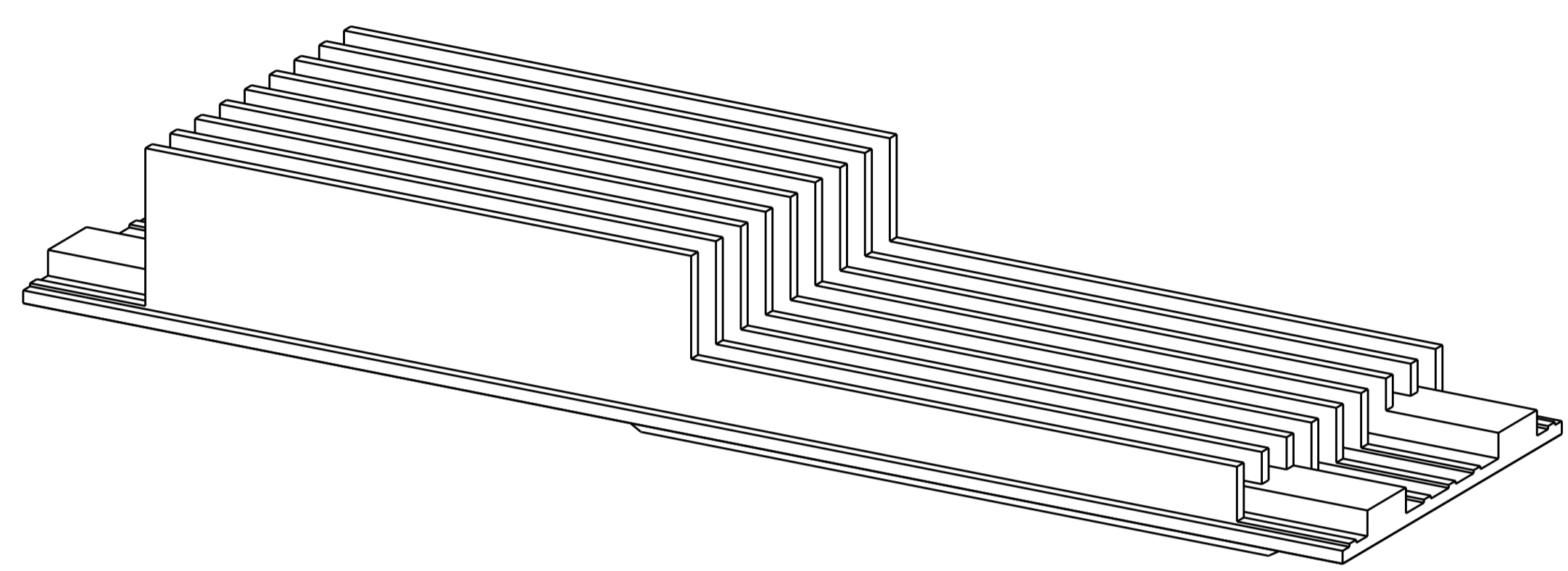
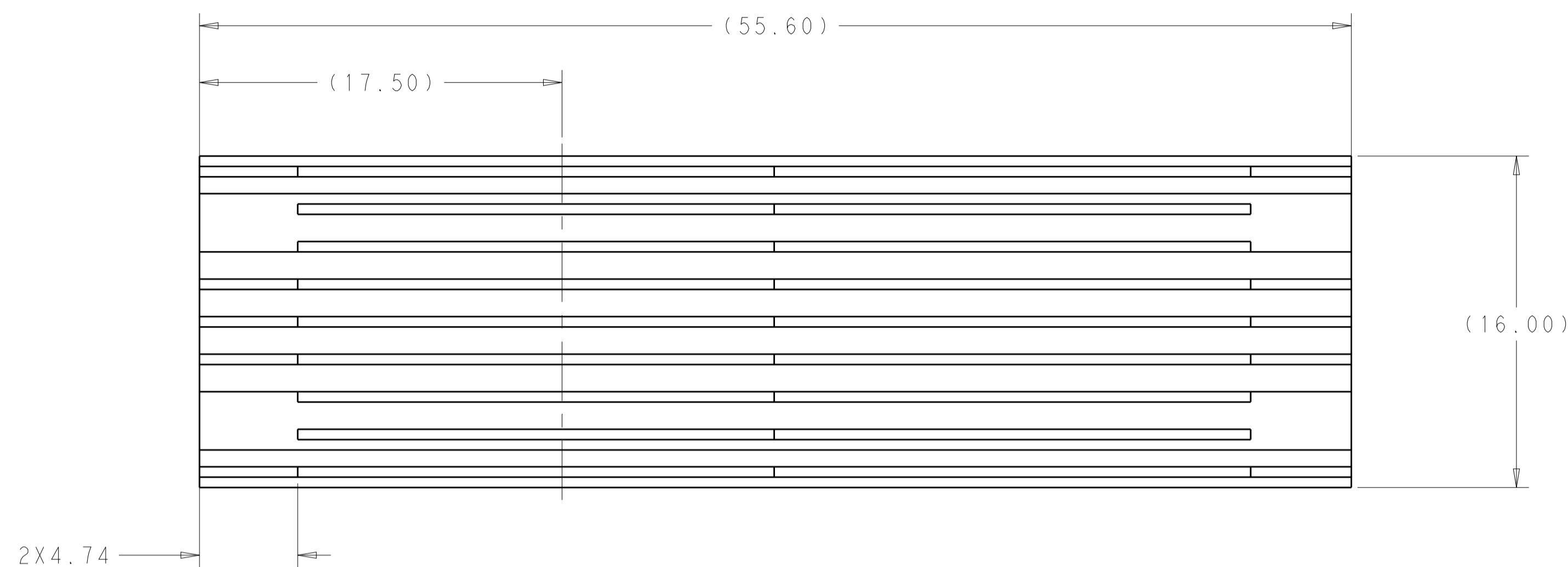
2	2	1-2300832-7	HEAT SINK CLIP	3
2	-	1-2304280-8	HEAT SINK	2
-	2	1-2304280-3		
1	1	2299870-4	CAGE AND CONNECTOR ASSEMBLY	1
1-2299870-3	2299870-3	PART NUMBER	DESCRIPTION	ITEM

THIS DRAWING IS A CONTROLLED DOCUMENT.

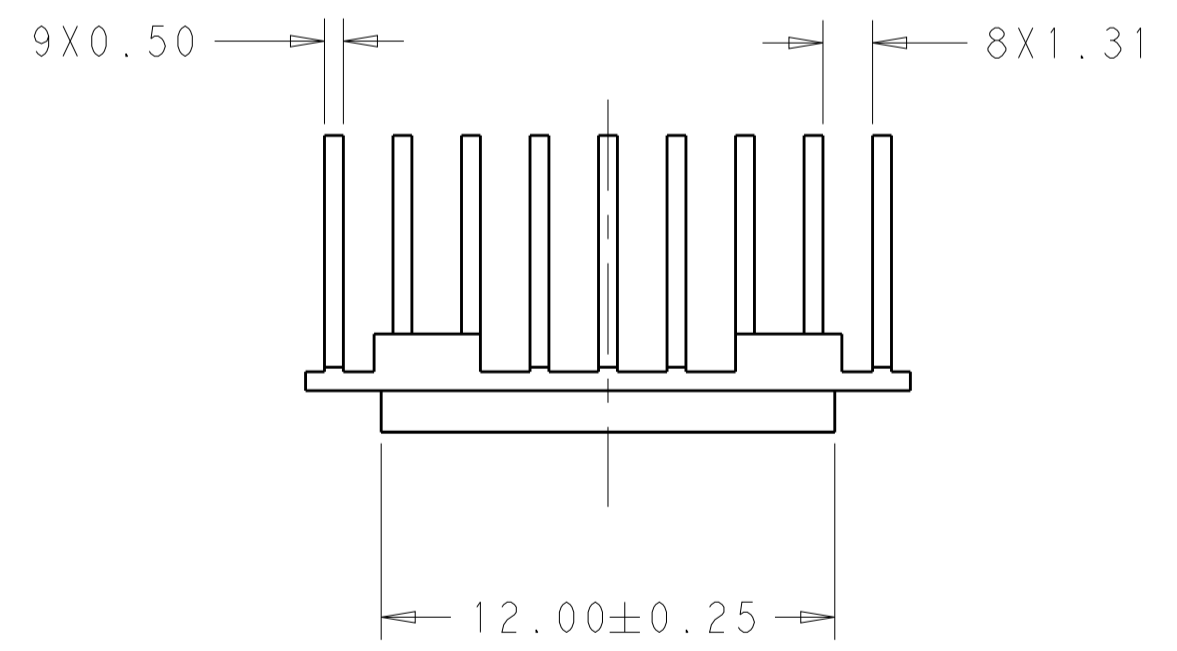
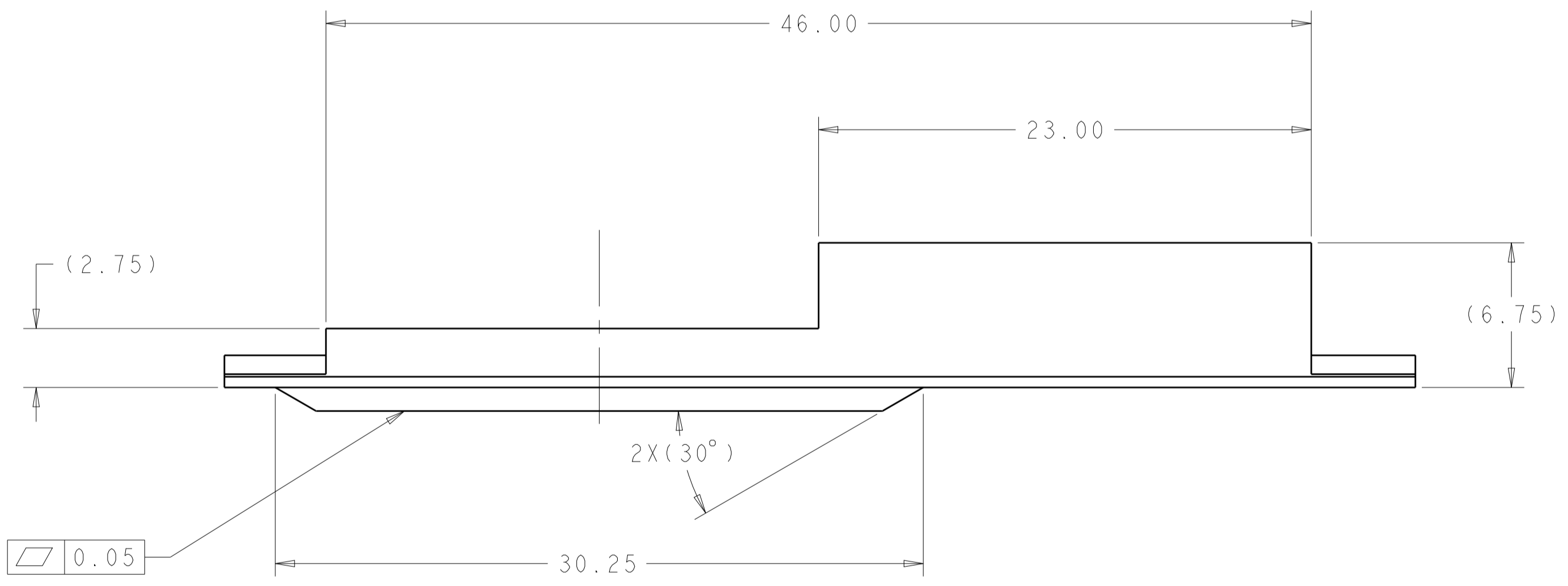
DIMENSIONS:	TOLERANCES UNLESS OTHERWISE SPECIFIED:	DMN	TIM XUE	28JAN2016
mm	0 PLC ±	CHK	SEAN HAN	28JAN2016
	1 PLC ±0.25	APVD	SEAN HAN	28JAN2016
	2 PLC ±0.15	NAME	CAGE AND CONNECTOR ASSEMBLY WITH EMI SPRING FINGERS, THRU BEZEL, 2X2 ZOSFP+ STACKED WITH HS	
	3 PLC ±	PRODUCT SPEC	108-60102	
	4 PLC ±	APPLICATION SPEC	114-60015	
	ANGLES ±	SIZE	CAGE CODE	DRAWING NO
MATERIAL	FINISH	WEIGHT	A100779	C=2299870
SEE NOTE 1	SEE NOTE 2	CUSTOMER DRAWING	SCALE	4:1

4805 (3/11)

LOC	DIST	REVISIONS			
P	LTN	DESCRIPTION	DATE	DMN	APVD
-	-	SEE SHEET 1	-	-	-

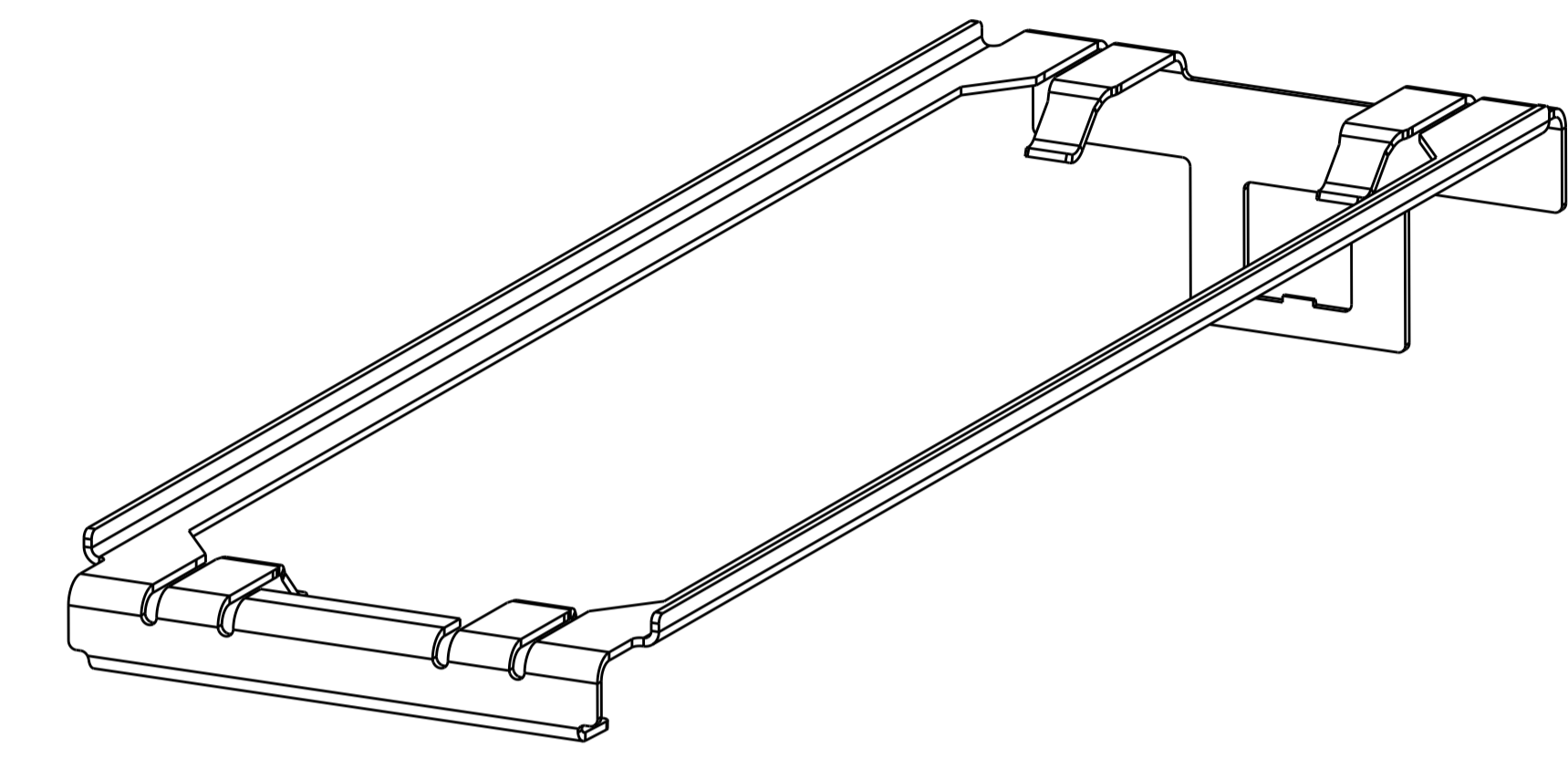
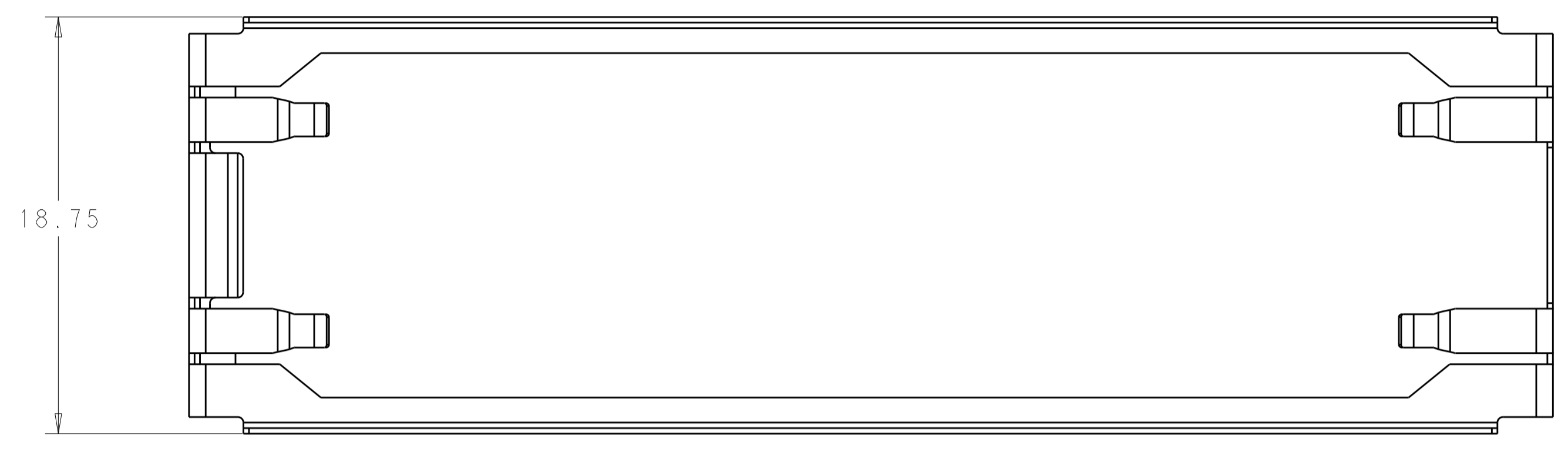


1-2304280-3 HEAT SINK SHOWN  
 (THE COLOR IS BLACK)  
 SCALE 5:1

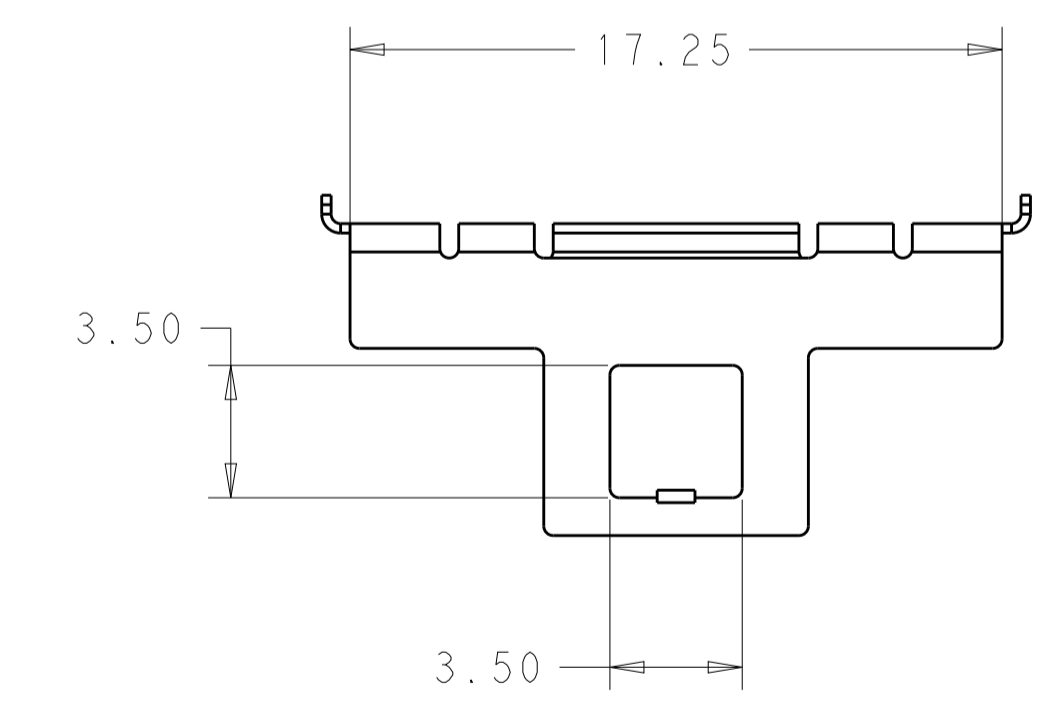
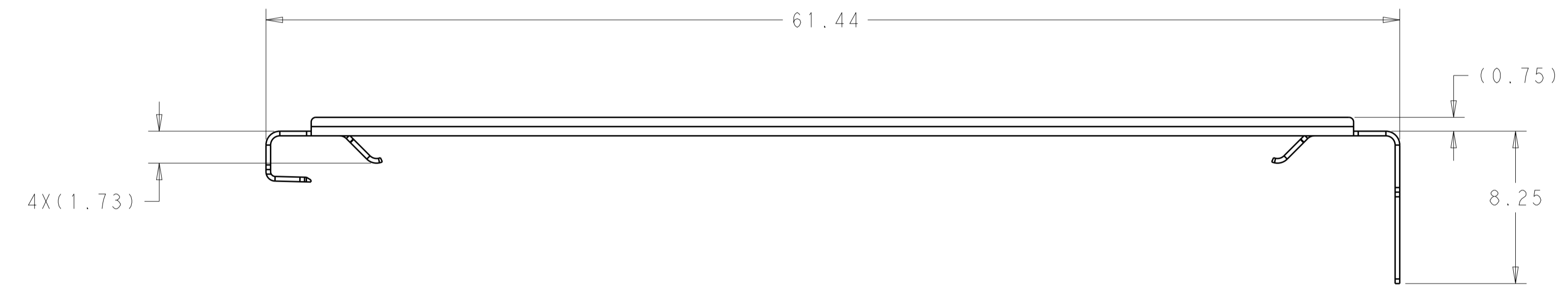


THIS DRAWING IS A CONTROLLED DOCUMENT.		DMN TIM XUE 28JAN2016	TE Connectivity
DIMENSIONS: mm		CHK SEAN HAN 28JAN2016	
TOLERANCES UNLESS OTHERWISE SPECIFIED:		APVD SEAN HAN 28JAN2016	NAME CAGE AND CONNECTOR ASSEMBLY WITH EMI SPRING FINGERS, THRU BEZEL, 2X2 ZQSFP+ STACKED WITH HS
0 PLC ±	1 PLC ±0.25	PRODUCT SPEC	108-60102
2 PLC ±0.15	3 PLC ±	APPLICATION SPEC	114-60015
4 PLC ±	ANGLES ±	SIZE	A100779
MATERIAL SEE NOTE 1	FINISH SEE NOTE 2	WEIGHT -	CAGE CODE DRAWING NO C=2299870
CUSTOMER DRAWING		SCALE	4:1 SHEET 7 OF 13 REV G

LOC	DIST	REVISIONS			
P	LTN	DESCRIPTION	DATE	DMN	APVD
GP	00	SEE SHEET 1	-	-	-



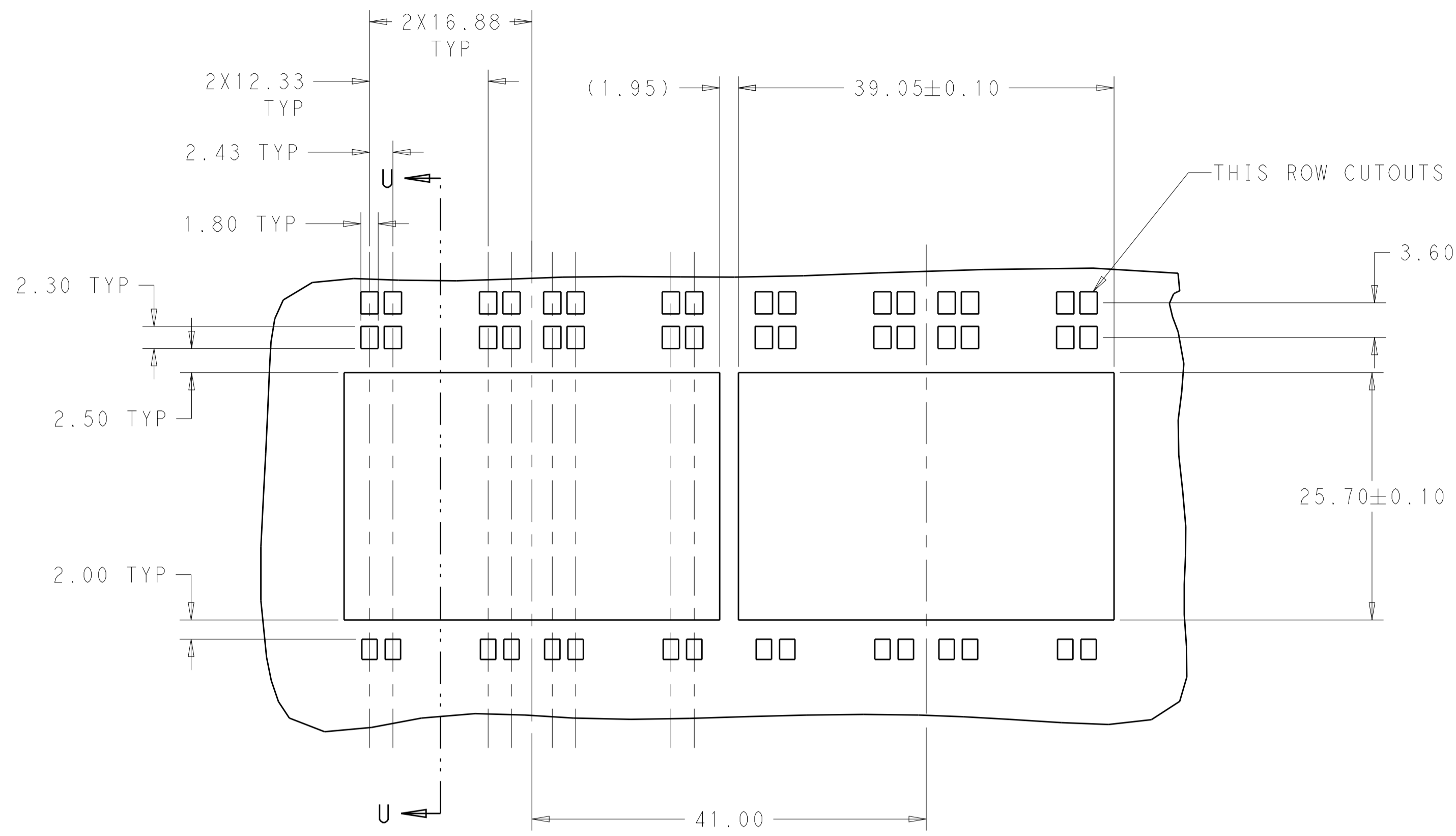
1-2300832-7, HEAT SINK CLIP  
 SCALE 5:1



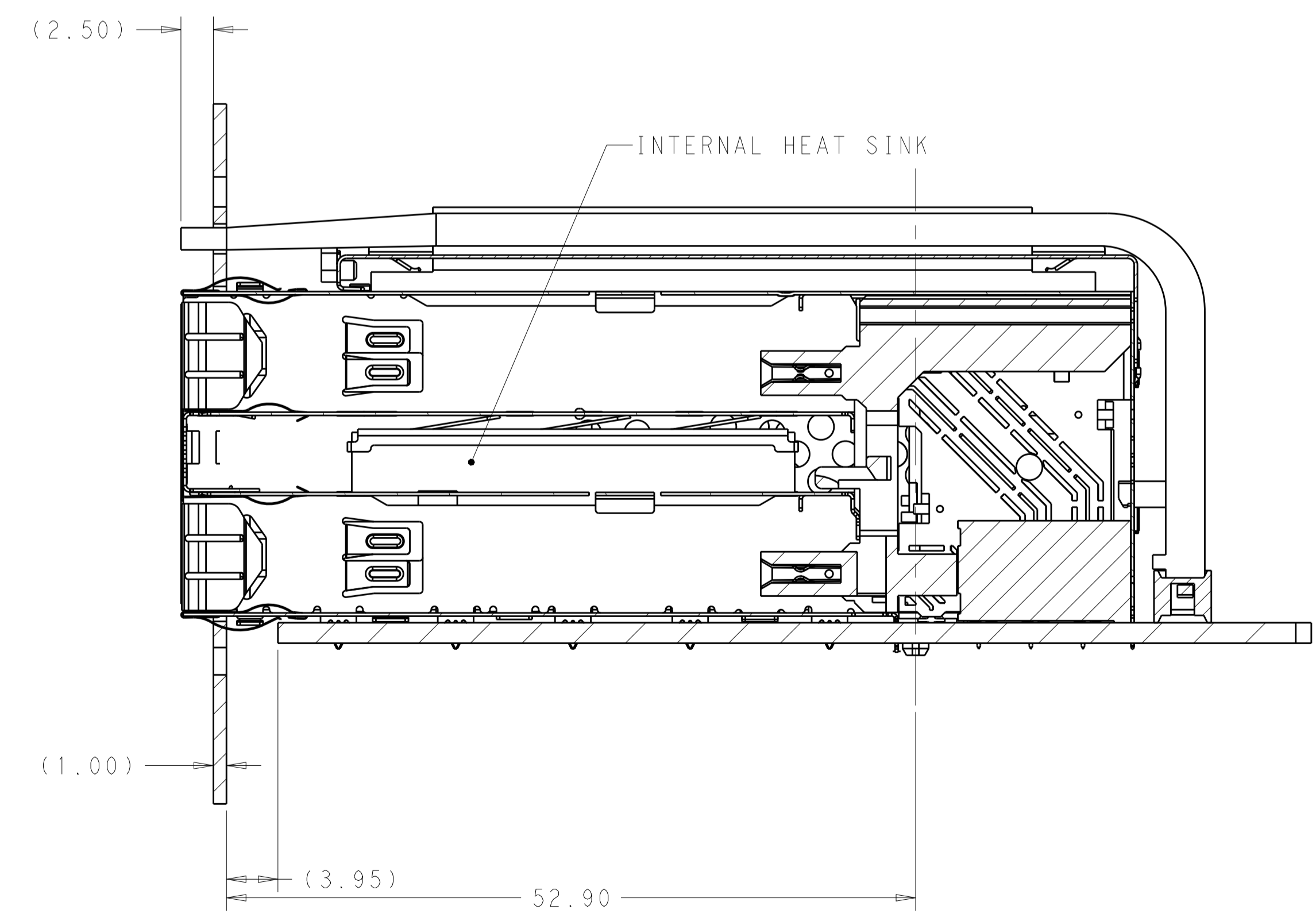
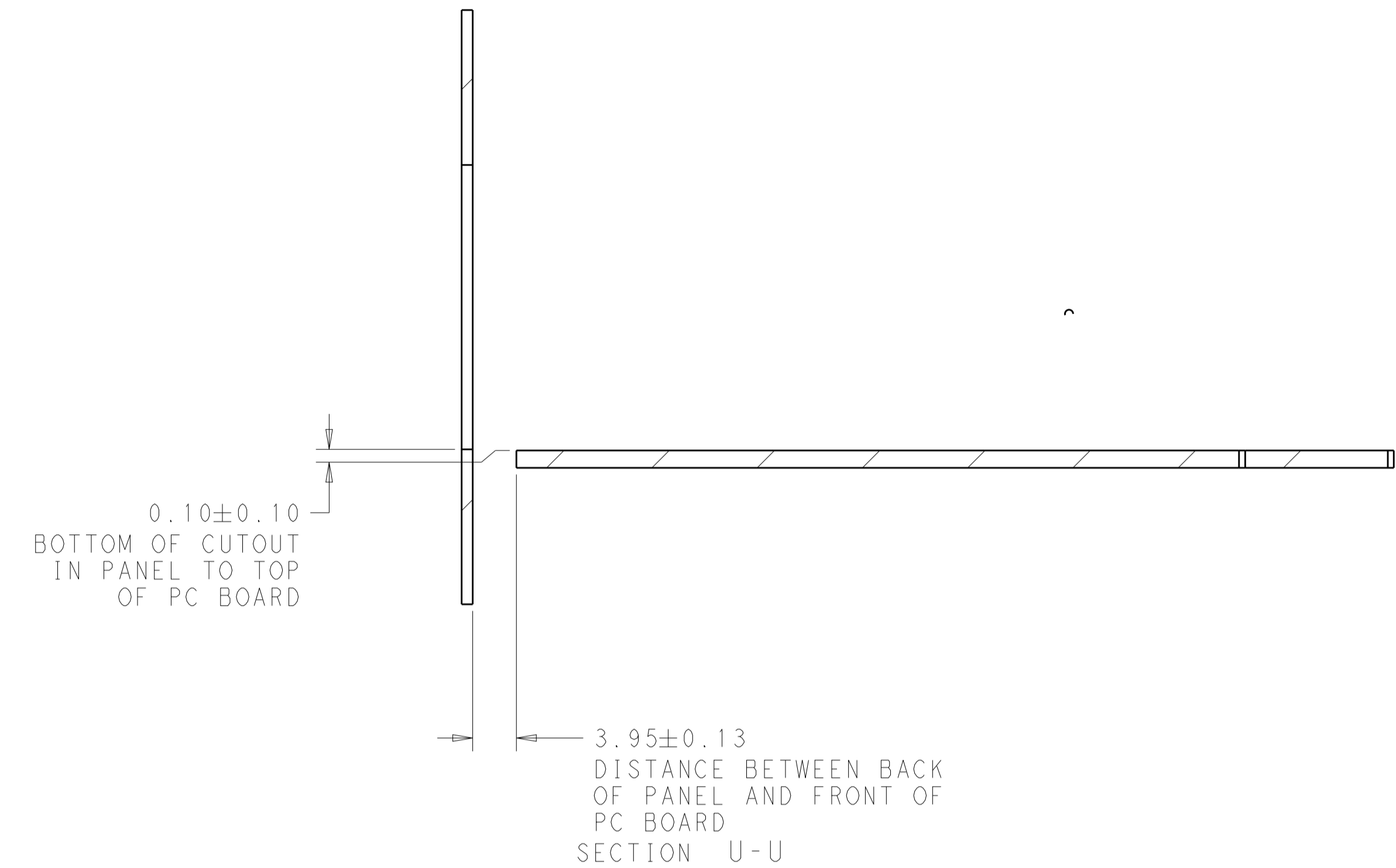
THIS DRAWING IS A CONTROLLED DOCUMENT.		DMN TIM XUE 28JAN2016	
DIMENSIONS: mm		CHK SEAN HAN 28JAN2016	
TOLERANCES UNLESS OTHERWISE SPECIFIED:		APVD SEAN HAN 28JAN2016	NAME CAGE AND CONNECTOR ASSEMBLY WITH EMI SPRING FINGERS, THRU BEZEL, 2X2 ZQSFP+ STACKED WITH HS
0 PLC ±	1 PLC ±0.25	PRODUCT SPEC	SIZE A1
2 PLC ±0.15	3 PLC ±	APPLICATION SPEC	CAGE CODE 100779
4 PLC ±	ANGLES ±	114-60015	DRAWING NO C=2299870
MATERIAL SEE NOTE 1	FINISH SEE NOTE 2	WEIGHT -	RESTRICTED TO -
CUSTOMER DRAWING		SCALE 4:1	SHEET 8 OF 13
		REV G	



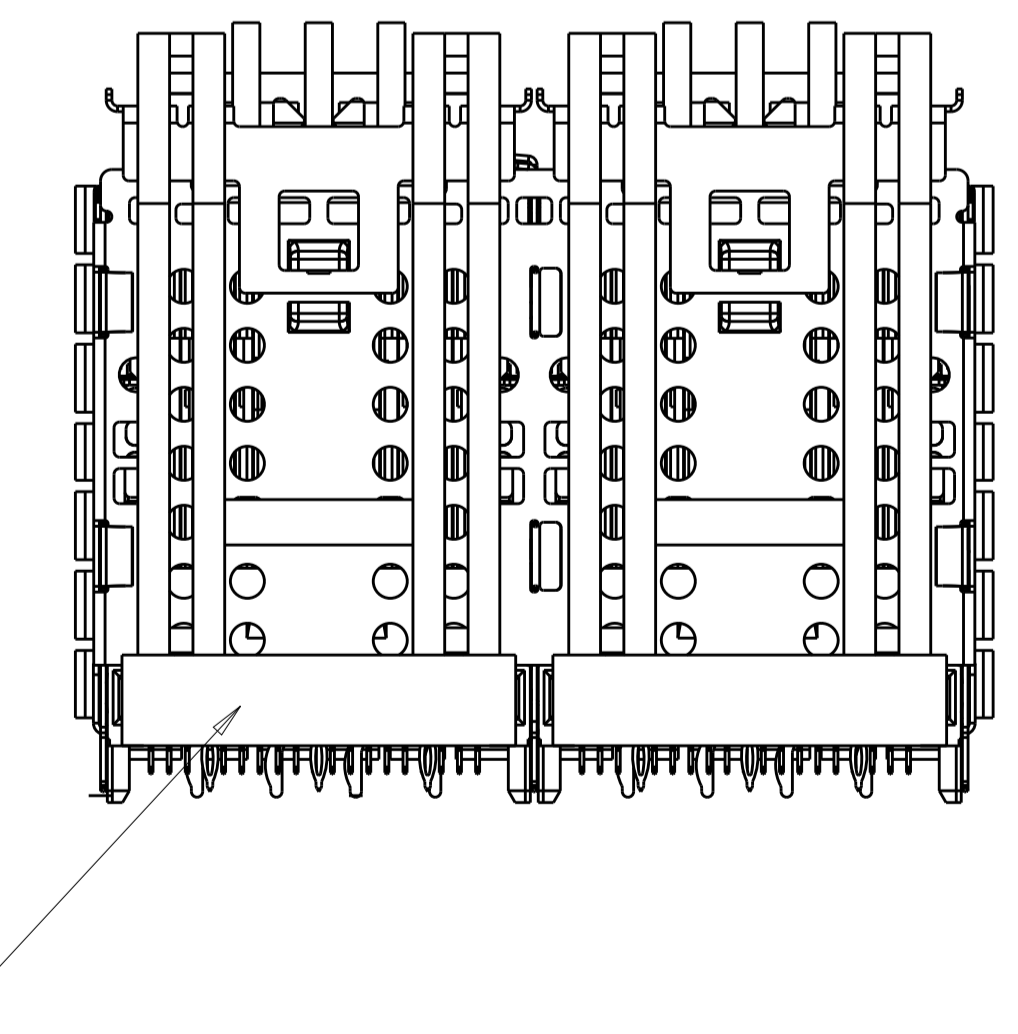
LOC	DIST	REVISIONS			
P	LTN	DESCRIPTION	DATE	DMN	APVD
GP	00	SEE SHEET 1			



RECOMMENDED PANEL CUTOUT  
 AND PC BOARD PANEL POSITION  
 SCALE 5:2

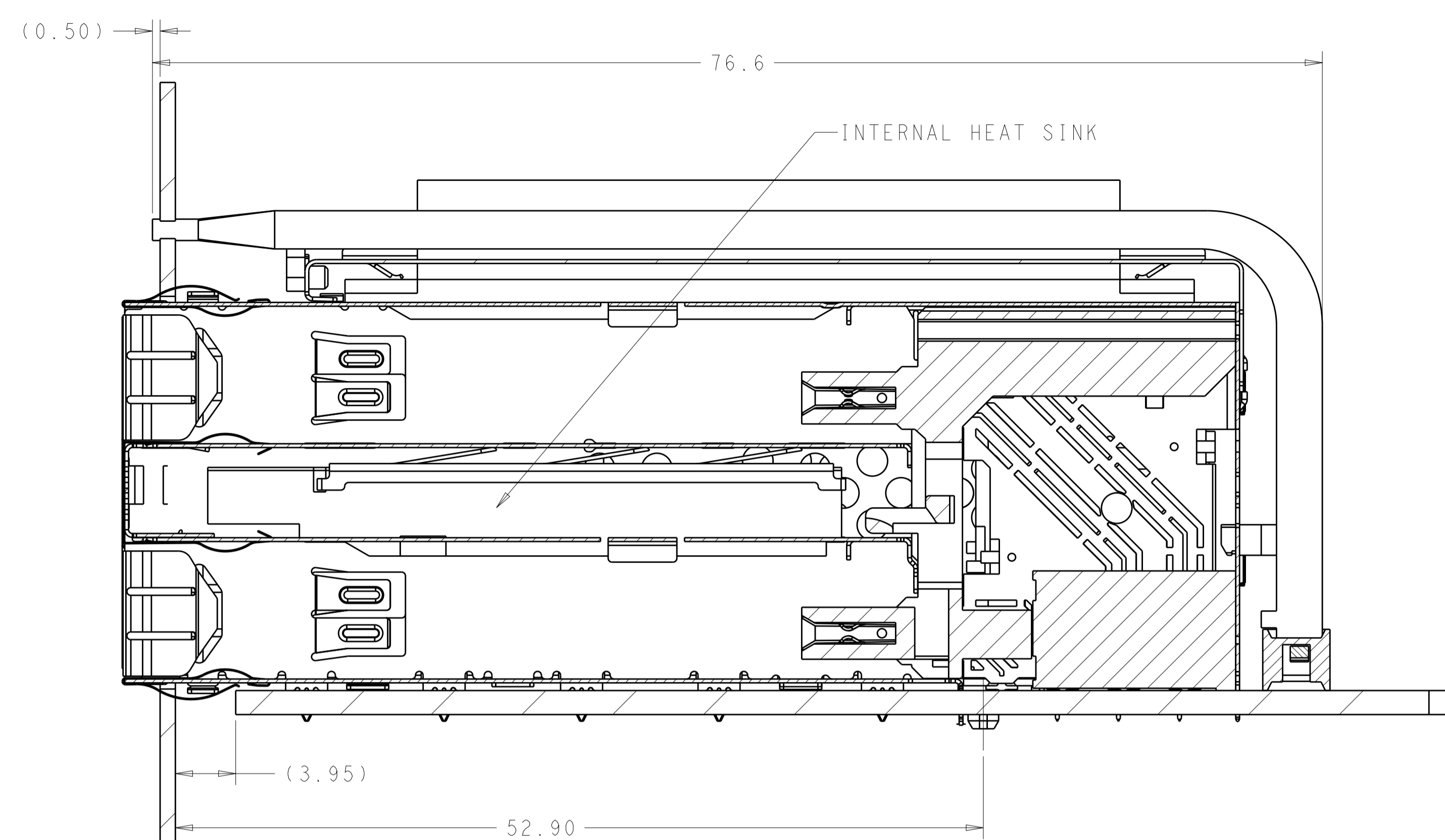


2299870-1 BEZEL LOCATION AS SHOWN  
 SECTION V-V  
 SCALE 3:1

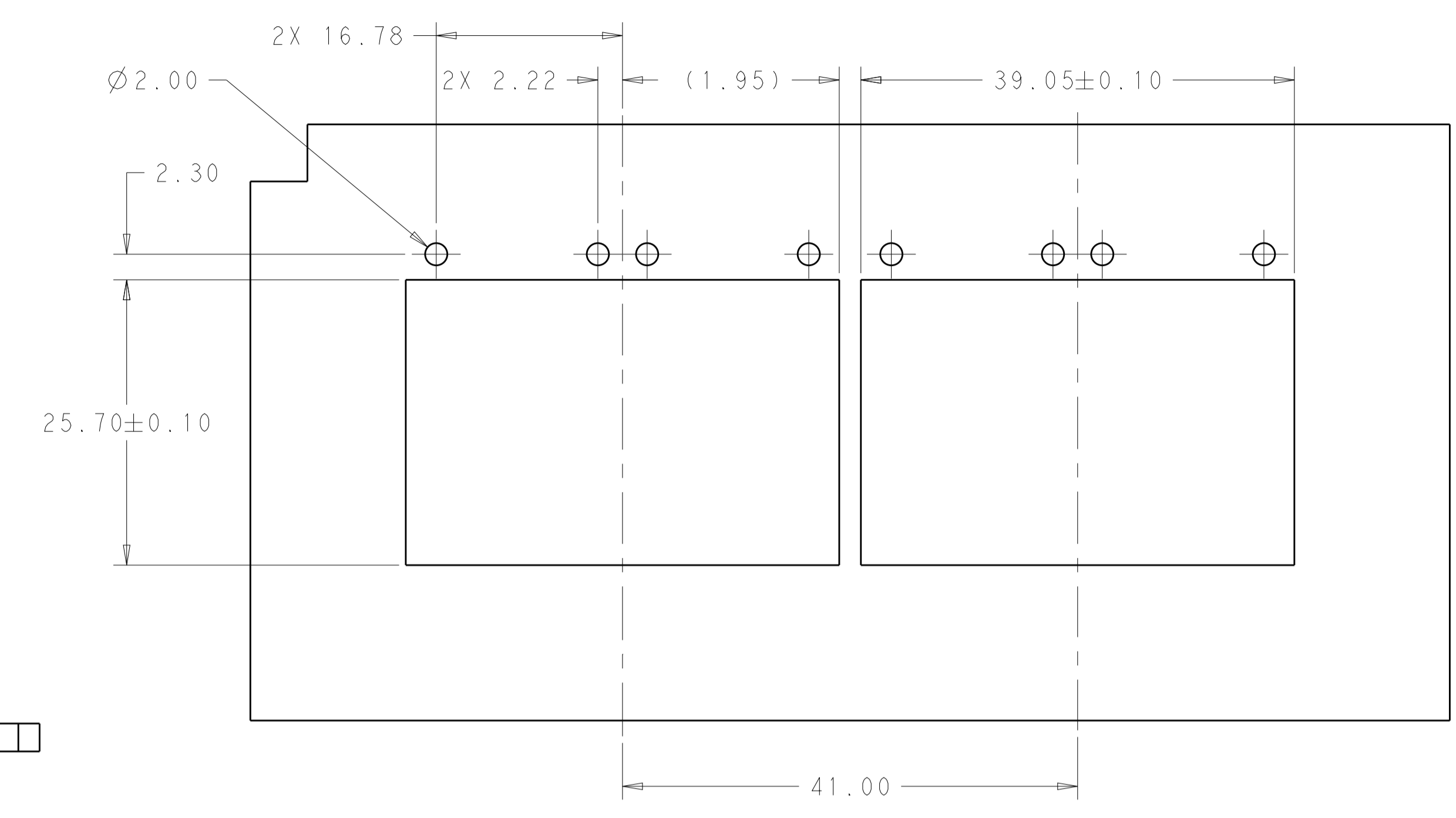


THIS DRAWING IS A CONTROLLED DOCUMENT.		DMN TIM XUE 28JAN2016	TE Connectivity	
DIMENSIONS:		CHK SEAN HAN 28JAN2016	NAME	
mm	TOLERANCES UNLESS OTHERWISE SPECIFIED:	APVD SEAN HAN 28JAN2016	CAGE AND CONNECTOR ASSEMBLY WITH EMI SPRING FINGERS, THRU BEZEL, 2X2 ZQSFP+ STACKED WITH HS	
0 PLC ±	1 PLC ±0.25	PRODUCT SPEC	SIZE	CAGE CODE DRAWING NO RESTRICTED TO
2 PLC ±0.15	3 PLC ±	108-60102	A1	00779C=2299870
4 PLC ±	ANGLES ±	APPLICATION SPEC	SCALE	SHEET 9 OF 13
MATERIAL	FINISH	114-60015	4:1	REV G
SEE NOTE 1	SEE NOTE 2	WEIGHT	CUSTOMER DRAWING	

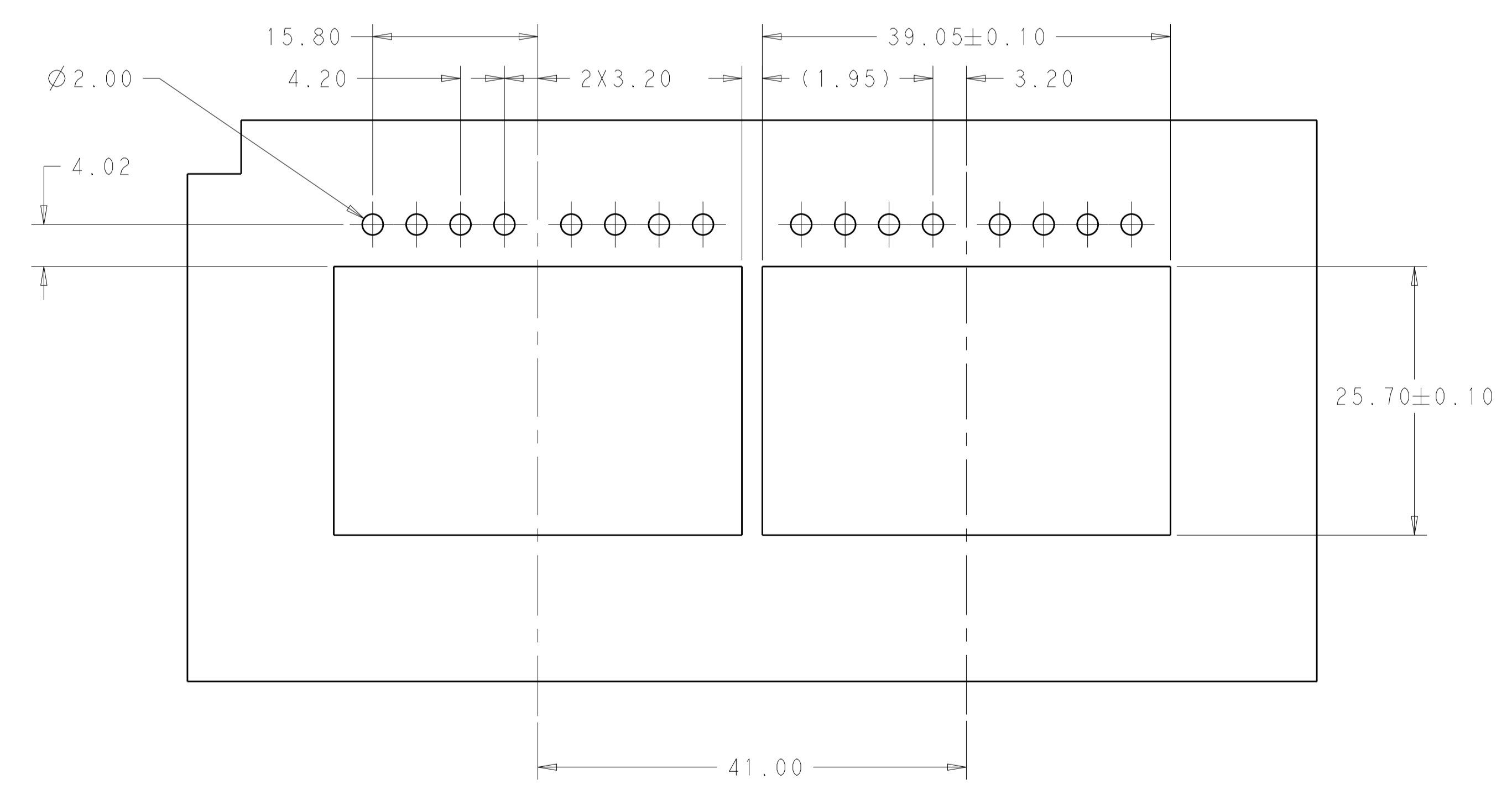
LOC	DIST	REVISIONS			
P	LTN	DESCRIPTION	DATE	DMN	APVD
GP	00	SEE SHEET 1	-	-	-



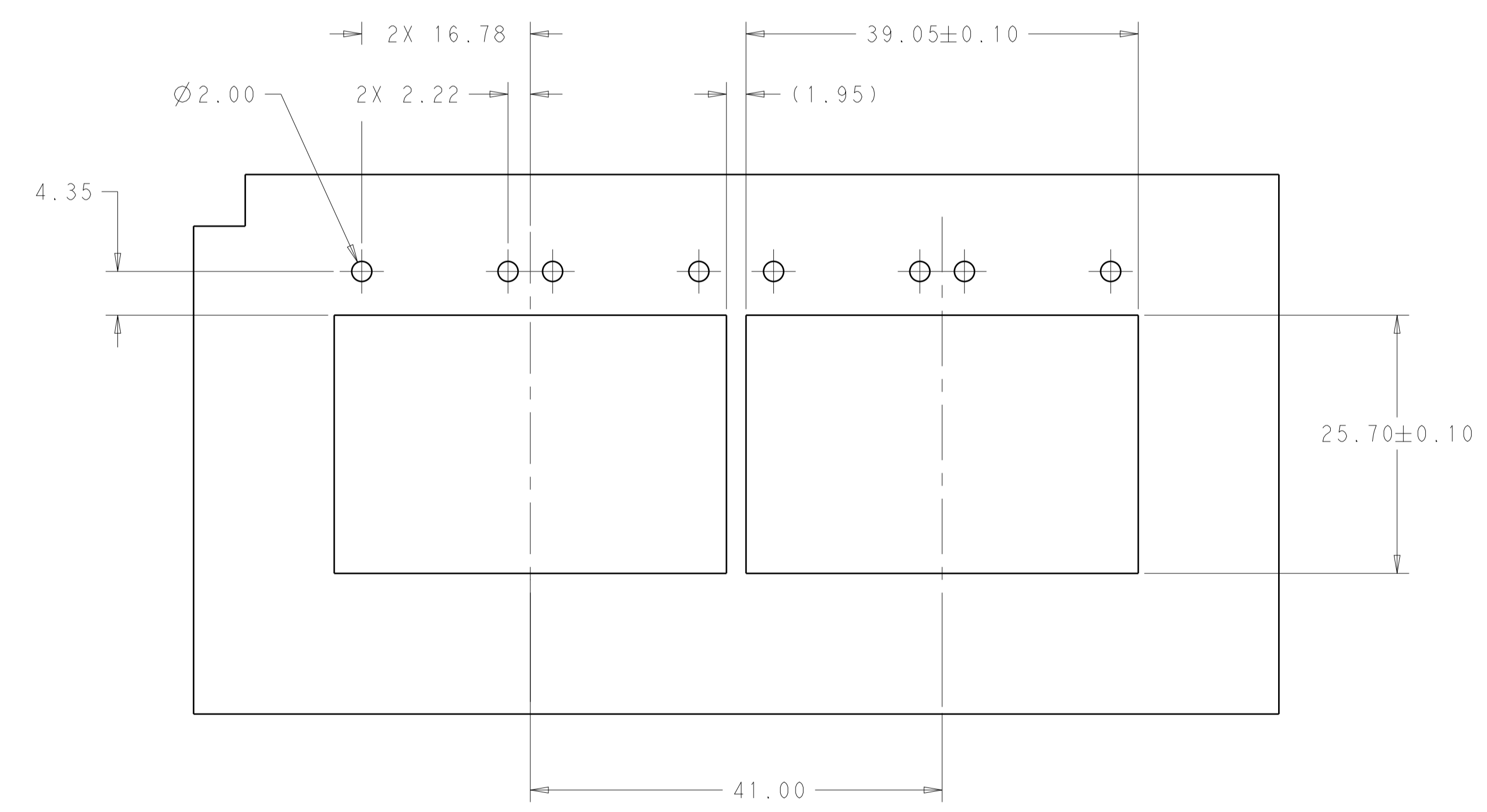
2299870-8  
 1-2299870-8  
 SECTION V-V  
 SCALE 4:1



2-2299870-0  
 SCALE 5:2



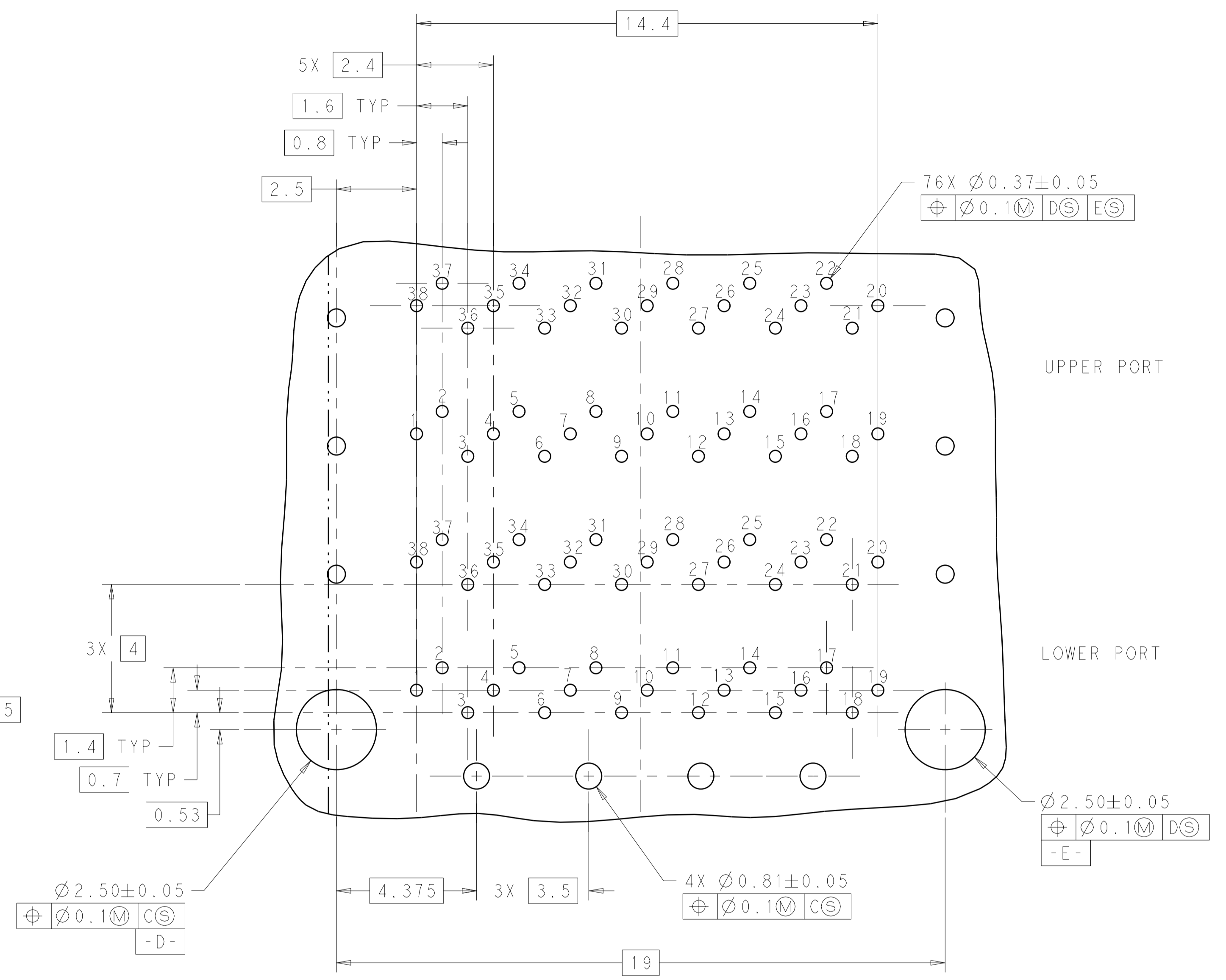
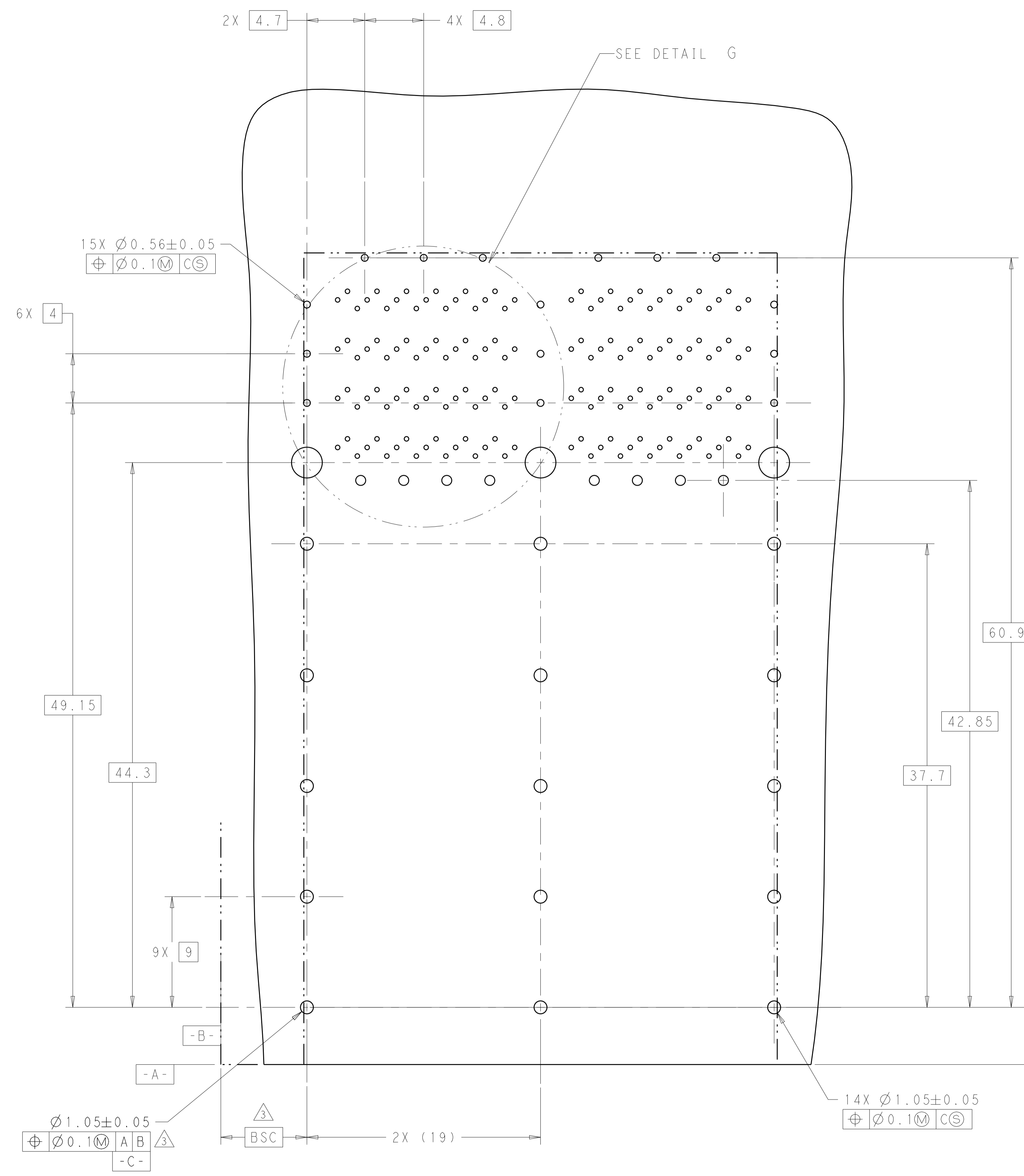
2-2299870-5  
 RECOMMENDED PANEL CUTOUT  
 SCALE 5:2



2299870-8  
 1-2299870-0  
 1-2299870-8  
 RECOMMENDED PANEL CUTOUT  
 SCALE 5:2

THIS DRAWING IS A CONTROLLED DOCUMENT.		DMN	TIM XUE	28JAN2016	TE Connectivity NAME CAGE AND CONNECTOR ASSEMBLY WITH EMI SPRING FINGERS, THRU BEZEL, 2X2 ZQSPF+ STACKED WITH HS
DIMENSIONS:		CHK	SEAN HAN	28JAN2016	
mm		APVD	SEAN HAN	28JAN2016	
TOLERANCES UNLESS OTHERWISE SPECIFIED: 0 PLC ± 1 PLC ±0.25 2 PLC ±0.15 3 PLC ± 4 PLC ± ANGLES ±		PRODUCT SPEC	108-60102	APPLICATION SPEC	
MATERIAL	SEE NOTE 1	FINISH	SEE NOTE 2	WEIGHT	114-60015
CUSTOMER DRAWING		SCALE	4:1	SHEET	10 OF 13
REV		G		REV	

LOC	DIST	REVISIONS			
GP	00	REV	DATE	BY	APPD
-	-	SEE SHEET 1	-	-	-

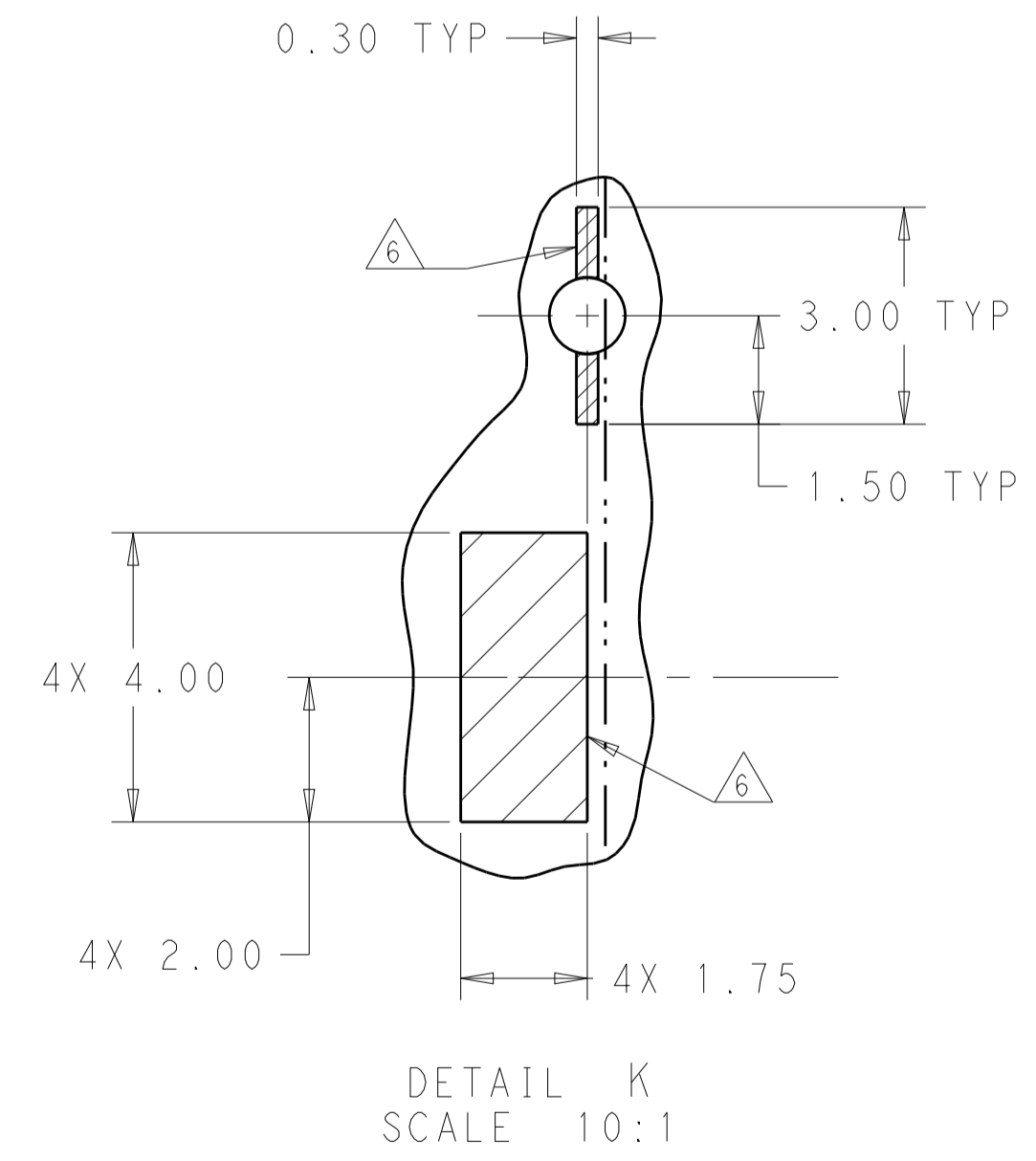
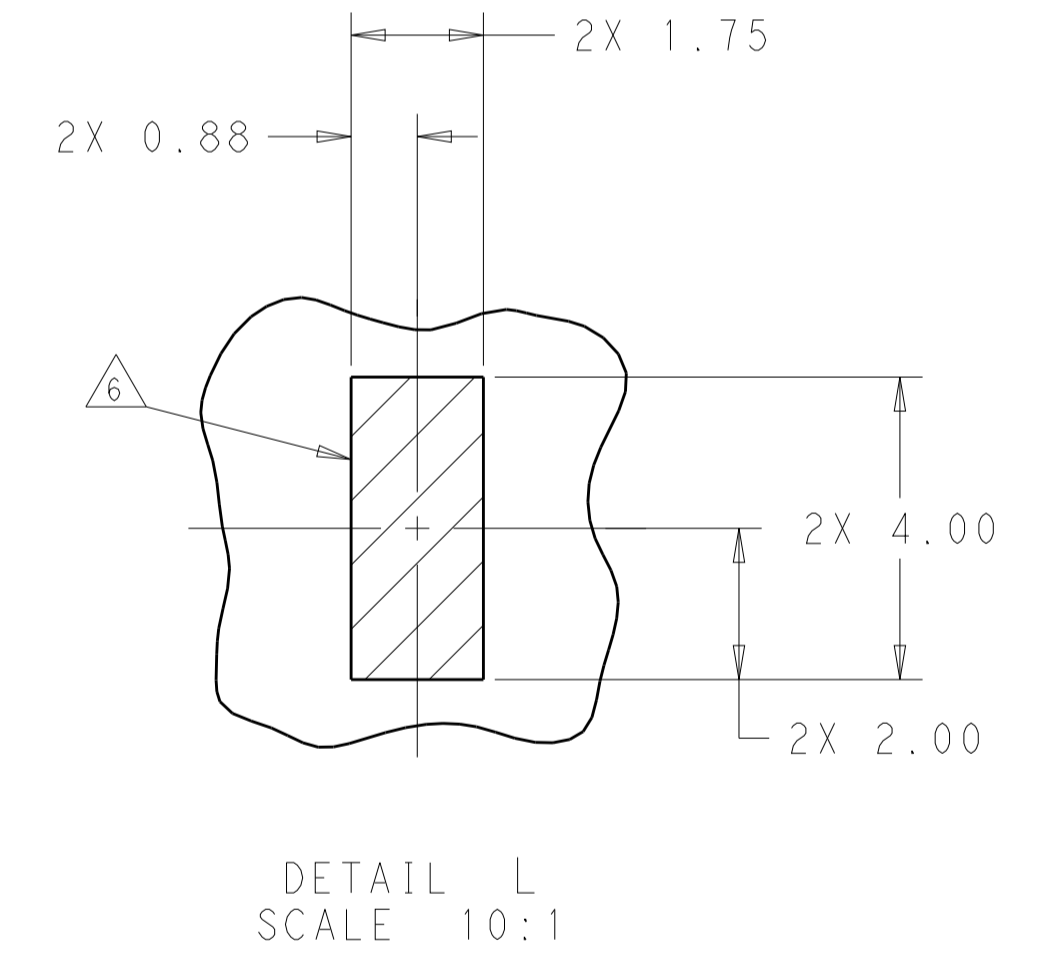
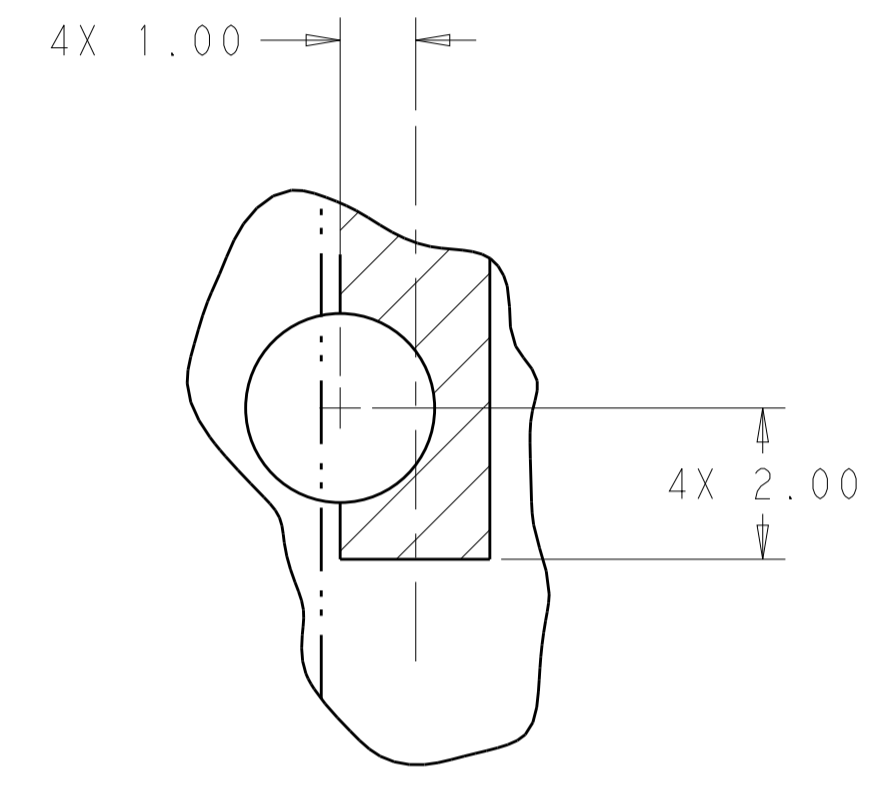
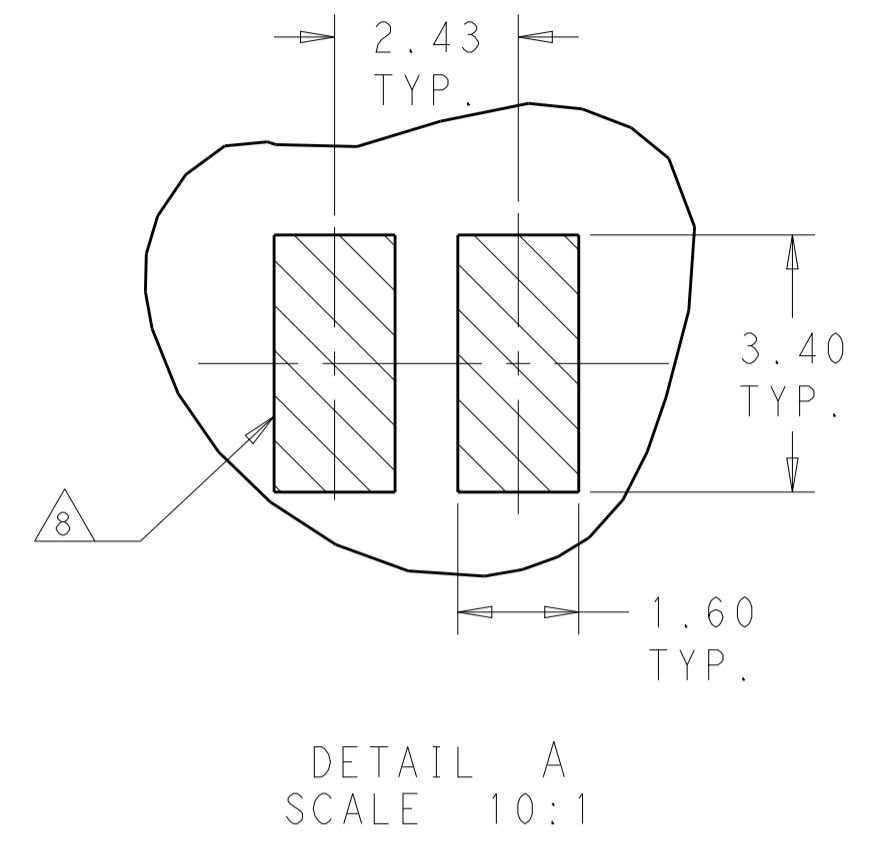
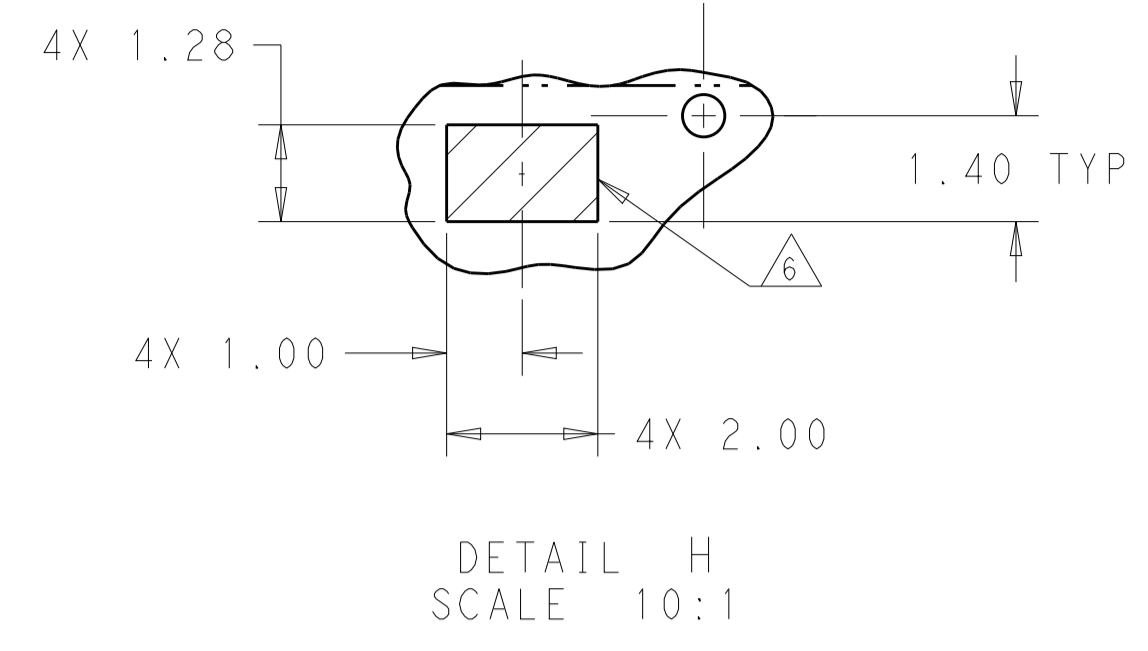
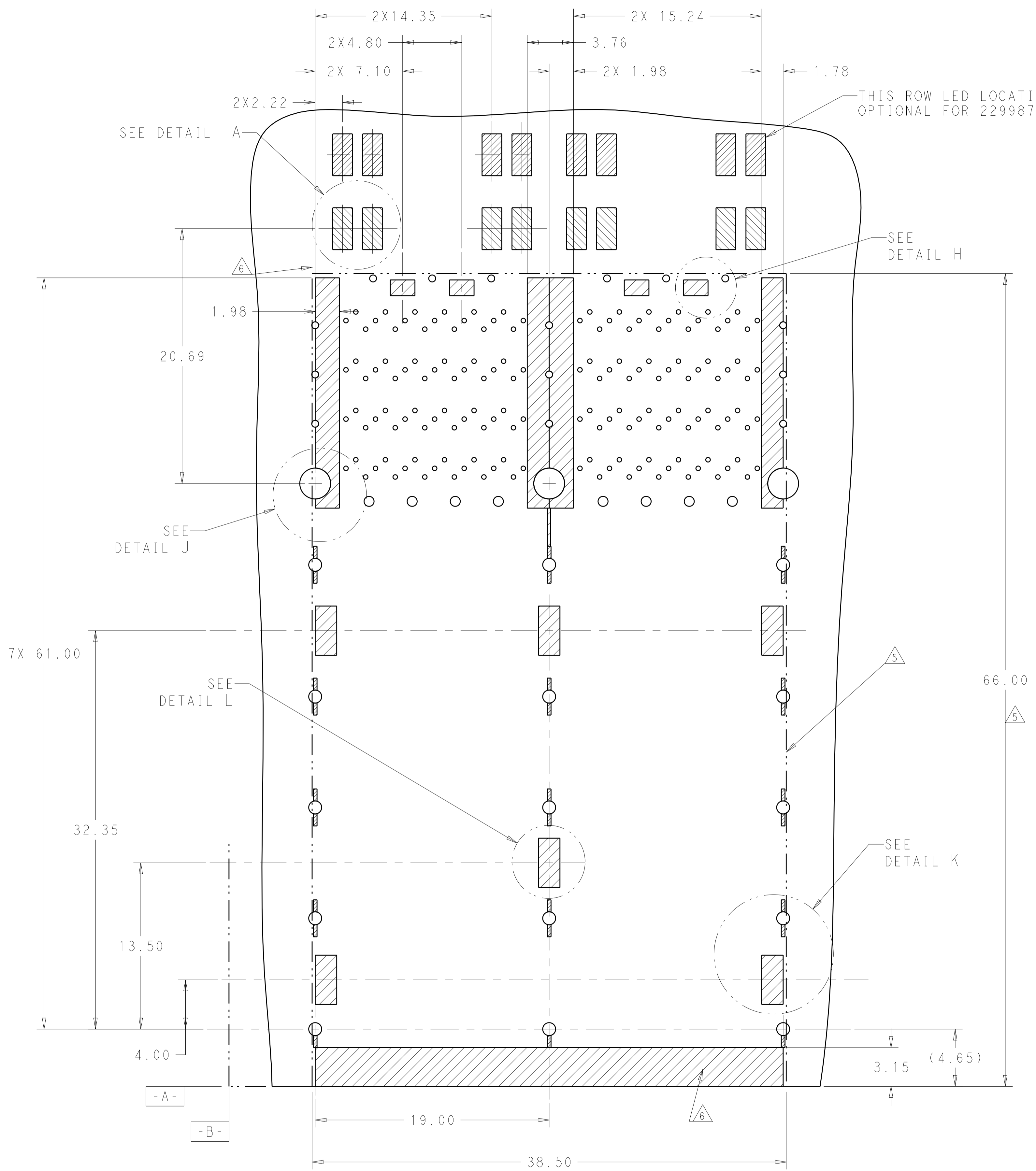


DETAIL G  
 SCALE 10:1

RECOMMENDED PC BOARD LAYOUT  
 COMPONENT SIDE OF BOARD  
 (PCB TOLERANCE  $\pm 0.05$ )  
 SCALE 5:1

THIS DRAWING IS A CONTROLLED DOCUMENT.		OWN: TIM XUE 28JAN2016	TE Connectivity
DIMENSIONS: mm		CHK: SEAN HAN 28JAN2016	
TOLERANCES UNLESS OTHERWISE SPECIFIED:		APPD: SEAN HAN 28JAN2016	
0 PLC $\pm$ 1 PLC $\pm 0.25$ 2 PLC $\pm 0.15$ 3 PLC $\pm$ 4 PLC $\pm$ ANGLES $\pm$		NAME: CAGE AND CONNECTOR ASSEMBLY WITH EMI SPRING FINGERS, THRU BEZEL, 2X2 ZQSFP+ STACKED WITH HS PRODUCT SPEC: 108-60102 APPLICATION SPEC: 114-60015 WEIGHT: - CUSTOMER DRAWING	
MATERIAL: SEE NOTE 1		FINISH: SEE NOTE 2	SIZE: A1 CAGE CODE: 00779 DRAWING NO: C=2299870 SCALE: 4:1 SHEET 11 OF 13 REV G

LOC	DIST	REVISIONS					
GP	00	P	LTN	DESCRIPTION	DATE	OWN	APVD
		-		SEE SHEET 1			

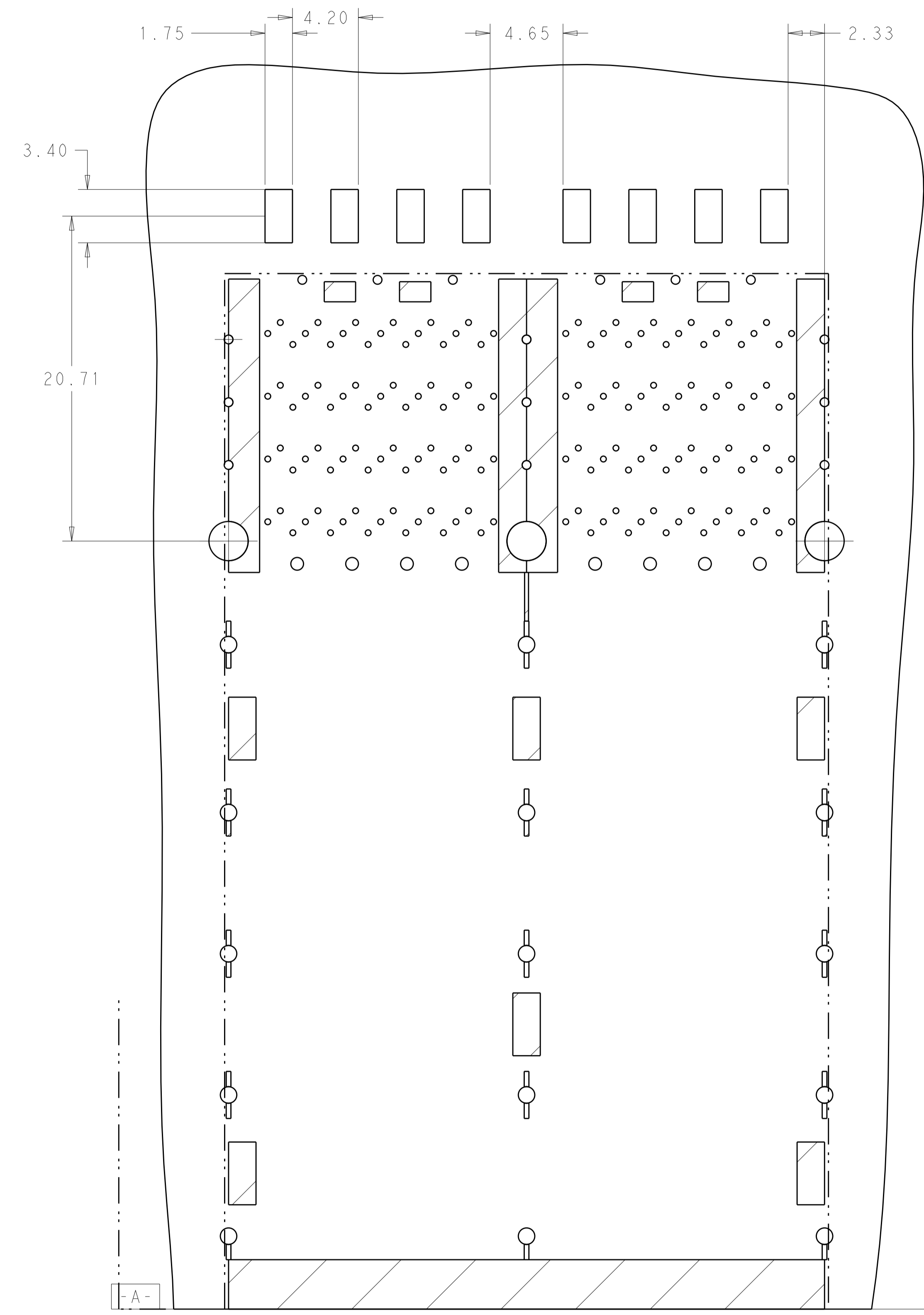


KEEPOUT AREAS  
 COMPONENT SIDE OF BOARD  
 (PCB TOLERANCE ±0.05)  
 SCALE 5:1

THIS DRAWING IS A CONTROLLED DOCUMENT.		OWN: TIM XUE 28JAN2016	TE Connectivity
DIMENSIONS: mm		CHK: SEAN HAN 28JAN2016	
TOLERANCES UNLESS OTHERWISE SPECIFIED:		APVD: SEAN HAN 28JAN2016	NAME: CAGE AND CONNECTOR ASSEMBLY WITH EMI SPRING FINGERS, THRU BEZEL, 2X2 ZQSF+ STACKED WITH HS
0 PLC ±0.25	1 PLC ±0.15	PRODUCT SPEC: 108-60102	SIZE: 114-60015
2 PLC ±0.15	3 PLC ±0.15	APPLICATION SPEC: 114-60015	WEIGHT: -
4 PLC ±0.15	5 PLC ±0.15	FINISH: -	RESTRICTED TO: A100779C=2299870
MATERIAL: SEE NOTE 1		CUSTOMER DRAWING	
FINISH: SEE NOTE 2		SCALE: 4:1 SHEET 12 OF 13 REV G	



LOC	DIST	REVISIONS			
P	LTN	DESCRIPTION	DATE	DMN	APVD
GP	00	SEE SHEET 1	-	-	-



RECOMMENDED 2-2299870-5 LP LOCATION  
 SCALE 5:1

THIS DRAWING IS A CONTROLLED DOCUMENT.		DMN TIM XUE 28JAN2016	TE Connectivity
DIMENSIONS: mm		CHK SEAN HAN 28JAN2016	
TOLERANCES UNLESS OTHERWISE SPECIFIED:		APVD SEAN HAN 28JAN2016	NAME CAGE AND CONNECTOR ASSEMBLY WITH EMI SPRING FINGERS, THRU BEZEL, 2X2 ZQSFP+ STACKED WITH HS
0 PLC ±	1 PLC ±0.25	PRODUCT SPEC 108-60102	SIZE A100779
2 PLC ±0.15	3 PLC ±	APPLICATION SPEC 114-60015	CAGE CODE C=2299870
4 PLC ±	ANGLES ±	FINISH	DRAWING NO 114-60015
MATERIAL SEE NOTE 1	SEE NOTE 2	WEIGHT	RESTRICTED TO -
CUSTOMER DRAWING		SCALE 4:1	SHEET 13 OF 13
		REV G	